

# HOLTKÖTTER INTERNATIONAL, INC.

155 Hardman Avenue South, South St. Paul, MN 55075

fax: (888) 552-8661 • phone: (800) 899-5444

www.holtkoetter.com

e-mail: customerservice@holtkoetter.com

## Please make sure that the following parts for your low-voltage pendant are enclosed:

1. Fixture including ceiling canopy, frame and height adjustment bar.
2. Additional backplate and universal crossbar strap
3. Glass shades
4. Bulbs: 5 each x 20 Watt Halostar by Osram, GY6.35 base.  
Order Code: 9250\*020-HSTAR

This fixture utilizes an electronic, line-voltage (120 V input) to low-voltage (12 V output) transformer by LIGHTECH rated at 175 Watts, allowing for a 20-Watt maximum per bulb.

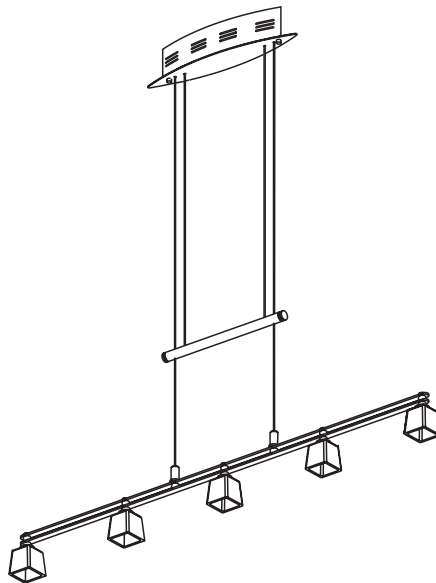
If you are planning to use a dimmer with this fixture, we recommend using a Lutron ELV (electronic low voltage) style dimmer.

NOTE: The electronic transformer by LIGHTECH is equipped with an automatic reset switch. If the fixture is not working or has created a short, disconnect the power to the fixture and the transformer will reset itself.

**Be sure to turn off the circuit breaker before installing this fixture.**

**Dry location only.**

**THIS PRODUCT MUST BE INSTALLED IN ACCORDANCE WITH THE APPLICABLE INSTALLATION CODE BY A PERSON FAMILIAR WITH CONSTRUCTION AND OPERATION OF THE PRODUCT AND THE HAZARDS INVOLVED.**



## ASSEMBLY INSTRUCTIONS FOR Low-voltage Halogen Pendant No. 5515/5

### Mounting Instructions (Diagram 1)

#### Parts used:

- A) Round 5" decorative plate with universal crossbar
- B) Long metal strap with screws
- C) Two brass tubular nuts
- D) Two decorative knobs.

1. Disconnect power to the box before installation.
2. Remove decorative knobs (D) and the brass tubular nuts (C) that are located under the decorative knobs (D).
3. Remove the long metal strap (B) located on the top of canopy.
4. Mount the round decorative plate (A) to the metal strap with screws provided on the universal crossbar strap, then mount the assembled piece to the outlet box.
5. Connect the wires from the fixture with the wires in the outlet box according to generally accepted electrical standards. Determine the polarity of the cord by rubbing it with your thumb. One side will feel smooth (= hot/black) and the other side will feel rough (= cold/white).
6. Slide the canopy over the metal strap and secure with brass tubular screws (C).
7. Finally put decorative knobs (D) on the bottom of the canopy.

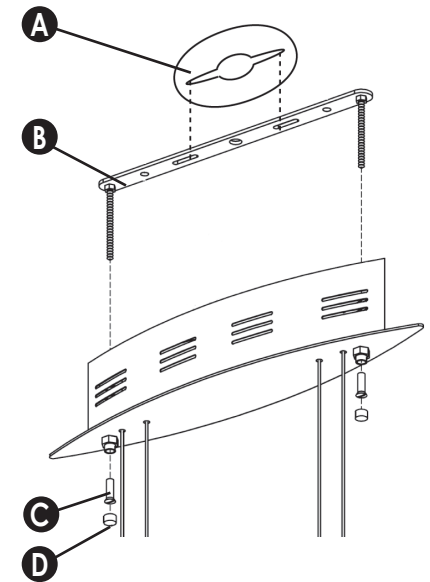


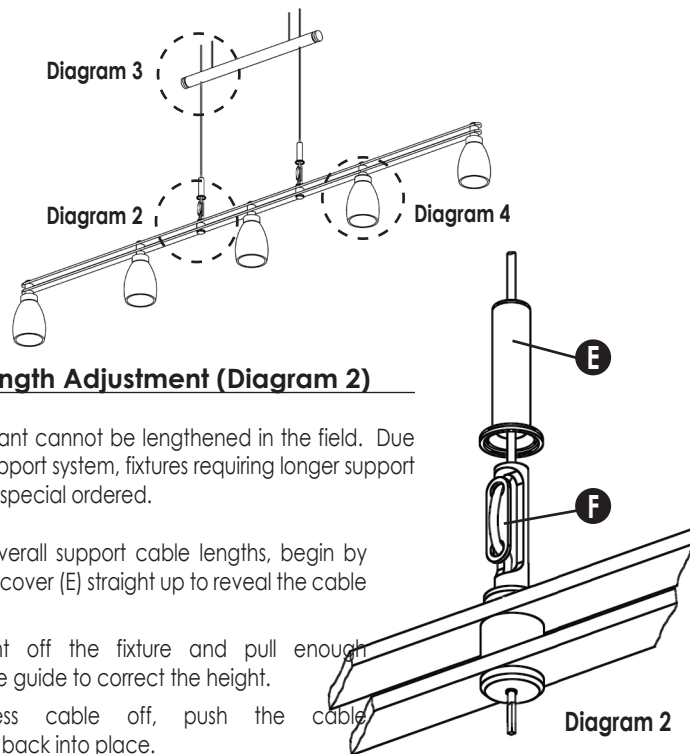
Diagram 1

### Care Instructions

Use only a soft, dry cloth to clean. If necessary, a slightly damp, soft cloth can be used to spot clean. Do not use common household cleaners on lamps or fixtures, as the lacquer on the outside of the brass may be damaged as a result. Enjoy your new Holtkötter lamp.

# HOLTKÖTTER INTERNATIONAL, INC.

www.holtkoetter.com  
e-mail: customerservice@holtkoetter.com



## Fixture Cable Length Adjustment (Diagram 2)

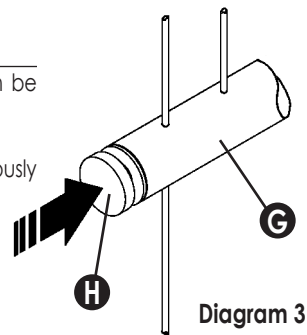
This low-voltage pendant cannot be lengthened in the field. Due to the nature of this support system, fixtures requiring longer support cables will have to be special ordered.

1. To shorten the overall support cable lengths, begin by pulling the cable cover (E) straight up to reveal the cable guide (F).
2. Take the weight off the fixture and pull enough cable through the guide to correct the height.
3. Cut the excess cable off, push the cable and cable cover back into place.

## Fixture Height Adjustment (Diagram 3)

The center bar (G) between the canopy and the fixture can be raised or lowered to adjust the overall height of the fixture.

Press the knobs (H) at each end of the center bar simultaneously to raise or lower the fixture to the desired height.



# ASSEMBLY INSTRUCTIONS FOR Low-voltage Halogen Pendant No. 5515/5

## Install the Bulbs & Glass (Diagram 4)

1. The bulbs provided with this fixture are specialty low-voltage bulbs by Osram, the Halostar Starlite. Insert the bulbs (J) into the sockets. **NOTE: BE CAREFUL NOT TO TOUCH THE BULB WITH YOUR BARE HANDS.**

**CAUTION:** Always remember to disconnect power to the fixture before replacing bulbs to prevent damage to the bulbs.

2. Using the plastic socket driver (L) provided, screw each glass shade (K) onto the fixture until it is snug. Do not overtighten.

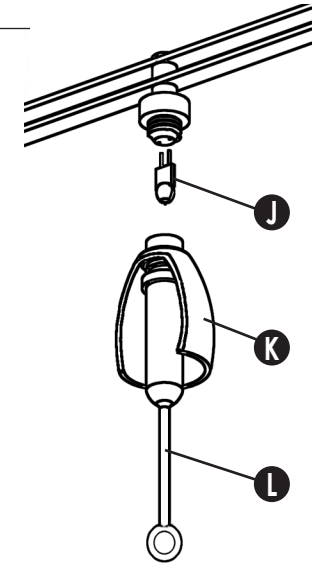
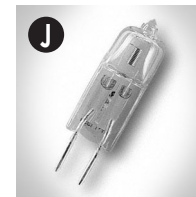


Diagram 4

## CSA/UL SAFETY REQUIREMENTS

CSA/UL requires that these IMPORTANT SAFETY INSTRUCTIONS be listed:

### INSTRUCTIONS PERTAINING TO RISK OF FIRE OR INJURY LIGHTED LAMP IS HOT!

**WARNING: TO REDUCE THE RISK OF FIRE OR INJURY, PLEASE FOLLOW THESE SAFETY INSTRUCTIONS:**

1. Turn off power and allow to cool before replacing lamps.
2. Lamp gets HOT quickly! Contact only switch/plug when turning on.
3. Keep lamp away from materials that may burn.
4. Do not touch lamp at any time. Use a soft cloth. Oil from skin may damage lamp.
5. Do not operate luminaire with missing or damaged glass.
6. **CAUTION:** The recommended replacement bulbs for this fixture are 20 Watt Halostar bulbs by Osram. Use of other brands of unknown quality may cause a risk of overheating.