

# HOLTKÖTTER INTERNATIONAL, INC.

155 Hardman Avenue South, South St. Paul, MN 55075

fax: (888) 552-8661 • phone: (800) 899-5444

www.holtkoetter.com

e-mail: customerservice@holtkoetter.com

Please make sure that the following parts for your lamp are enclosed:

1. Lamp Base
2. Reflector Kit
  - A. Metal reflector (6504/1) **or** Glass reflector (6514/1)
  - B. Frosted glass shield
  - C. Bayonet base halogen bulb made by Osram in Germany (100 Watts)  
For a replacement bulb, use only Osram bayonet base halogen bulbs.  
(Order Code: 9250\*100-DC/CL).

## Install the Bulb and Reflector

1. Insert the bulb into the bayonet socket. The bulb is inserted by pushing it slightly down into the socket and then turning it clockwise. **NOTE: BE CAREFUL NOT TO TOUCH THE BULB WITH YOUR BARE HANDS.**
2. Set the glass shield (B) on the grooved counterpart of the reflector (A).
3. Screw the reflector onto the base. Holding the reflector with one hand and the glass shield with the other hand, place the reflector and glass shield over the bulb and onto the base. Turn the reflector clockwise until it is completely assembled.
4. Plug lamp into your outlet. The lamp is now operational.

## UL requires the following safety instructions:

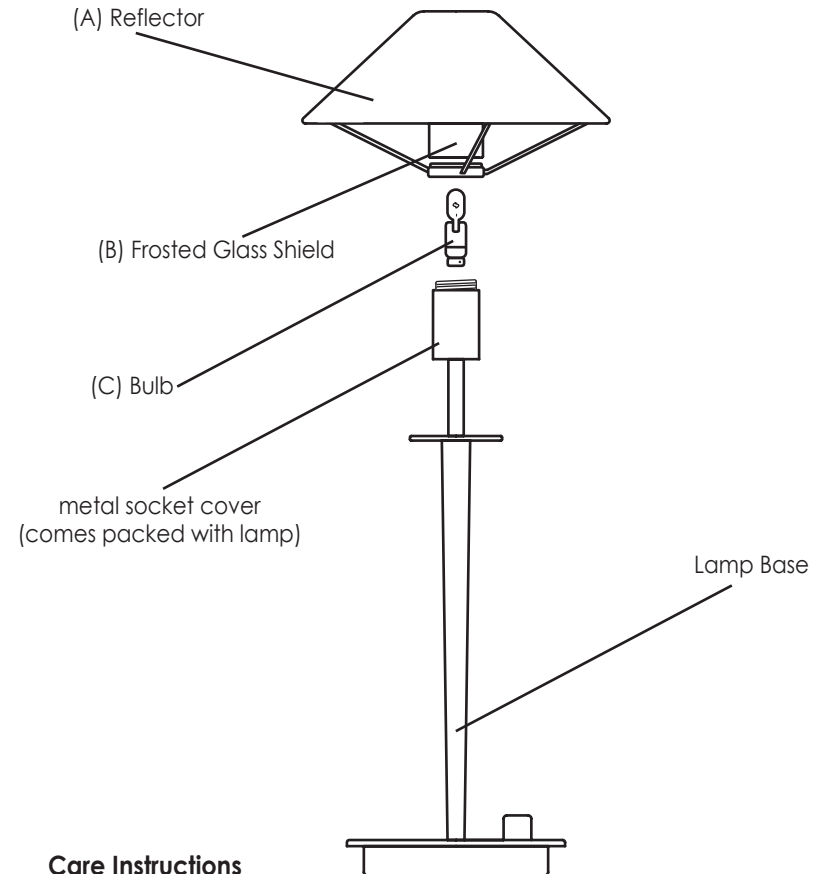
Lighted lamp is HOT! **WARNING:** Improper use of this fixture may increase the risk of FIRE, ELECTRICAL SHOCK, EXPOSURE TO EXCESSIVE RADIATION or INJURY TO PERSONS.

IN ORDER TO REDUCE THESE RISKS, PLEASE FOLLOW THESE SAFETY INSTRUCTIONS:

1. Before replacing bulb, UNPLUG lamp and allow bulb to cool.
2. DO NOT touch hot glass shield or operate lamp with a missing glass shield.
3. Keep lamp away from materials that may burn.
4. Do not remain in light if skin feels warm or look directly at a lighted bulb.
5. Use of the Osram bulb provided with this lamp prevents exposure to excessive UV Radiation. Use of any other bulb may cause a risk of exposure to excessive UV Radiation. Use of any other bulb may also cause a risk of overheating or may rupture the bulb.

Major lamp parts manufactured in Germany by Holtkötter Leuchten GmbH.  
Bulbs manufactured in Germany by Osram GmbH.  
Final assembly by Holtkötter International, Inc. in South St. Paul, MN.

## ASSEMBLY INSTRUCTIONS FOR Halogen Table Lamp No. 6504/1 & No. 6514/1



### Care Instructions

Use only a soft, dry cloth to clean. If necessary, a slightly damp, soft cloth can be used to spot clean. Do not use common household cleaners on lamps or fixtures, as the lacquer on the outside of the brass may be damaged as a result. Enjoy your new Holtkötter lamp.

Holtkötter® and Holtkötter Leuchten® are registered trademarks of Holtkötter International, Inc. All Rights Reserved.

© Holtkötter International, Inc.