

---

# HOLTKÖTTER INTERNATIONAL, INC.

155 Hardman Avenue South, South St. Paul, MN 55075

fax: (888) 552-8661 • phone: (800) 899-5444

---

www.holtkoetter.com

e-mail: customerservice@holtkoetter.com

---

Please make sure that the following parts for your fixture are enclosed.

- A. Fixture
- B. Glass

This fixture comes completely assembled. After installation, you will need to install the glass.

**IT IS FIRMLY RECOMMENDED THAT A LICENSED ELECTRICIAN INSTALL THIS FIXTURE.**

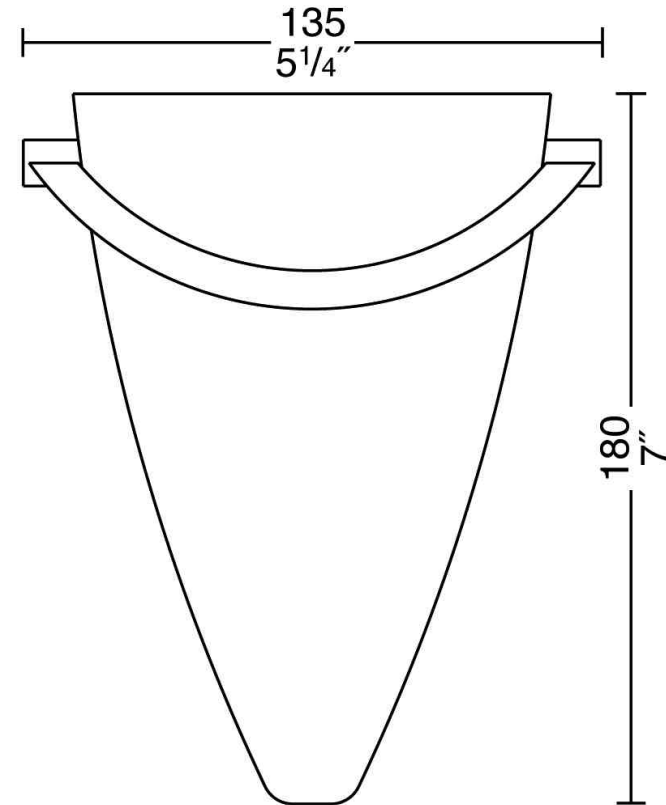
1. Remove the glass shield. Holding the glass shield by the spring clip on each side, pull it straight off.
2. Remove the universal crossbar strap from the back of the sconce.
3. Connect the wires from the sconce with the wires in the outlet box according to generally accepted electrical standards.
4. Mount the crossbar strap to the outlet box after making the wire connections.
5. Mount the fixture to the crossbar strap.
6. Replace the glass shield. Holding each end of the glass shield by the spring clips, press the glass shield back into place.
7. Install the glass in the finished ring brackets.

Your wall sconce is now operational.

---

## ASSEMBLY INSTRUCTIONS FOR Halogen Wall Sconce 2977/1

---



---

Major fixture parts manufactured in Germany by Holtkötter Leuchten GmbH. Final assembly by Holtkötter International, Inc. in South St. Paul, MN.

Holtkötter® & Holtkötter Leuchten® are registered trademarks of Holtkötter International, Inc. All Rights Reserved.

© Holtkötter International, Inc.