

# HOLTKÖTTER INTERNATIONAL, INC.

155 Hardman Avenue South, South St. Paul, MN 55075

fax: (888) 552-8661 • phone: (800) 899-5444

www.holtkoetter.com

e-mail: customerservice@holtkoetter.com

These low-voltage halogen wall sconces come fully assembled and ready for installation.

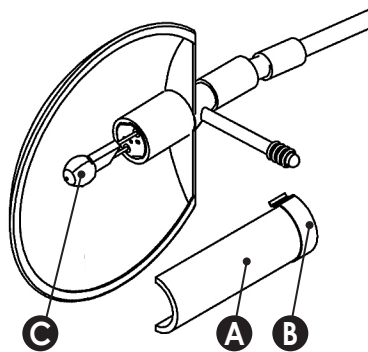
**IT IS FIRMLY RECOMMENDED THAT A LICENSED ELECTRICIAN INSTALL THIS FIXTURE.**

## General Installation Instructions

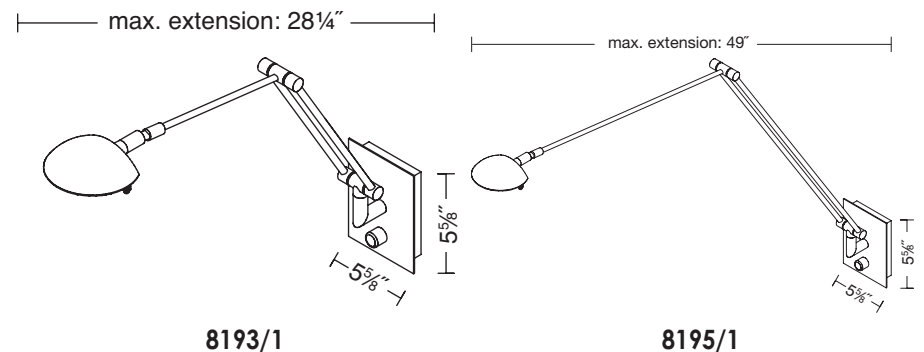
1. Disconnect power before servicing.
2. Remove the universal crossbar strap from the back of the sconce.
3. Mount the universal crossbar strap to the outlet box before making the wire connections.
4. Connect the wires from the sconce with the wires in the outlet box according to generally accepted electrical standards.
5. Mount the backplate of the sconce to the crossbar strap and secure with finished screws.

## Glass Shield & Bulb Replacement Instructions

1. Be sure to turn the lamp off and allow it to cool before attempting glass shield and/or bulb replacement.
2. The glass shield (A) is held in place with an aluminum spring clip (B). To remove this clip, hold each side and pull firmly from the socket. This will release the glass shield. (Skip to Step 5 unless replacing bulb).
3. To remove the old bulb (C), pull it straight out of the socket.
4. Install the new bulb, being careful not to touch the bulb envelope with your bare hands. Hold the bulb at the porcelain grip and push it straight into the socket. Use only the Osram Halostar ECO/IRC bulb, max. 60W (Order Code: 9250\*060-HSTAR).
5. Press the aluminum clip over the shield and onto the socket, making sure that both sides snap into place.



## ASSEMBLY INSTRUCTIONS FOR Low-voltage Halogen Wall Sconces No. 8193/1 & No. 8195/1



## Care Instructions

Use only a soft, dry cloth to clean. If necessary, a slightly damp, soft cloth can be used to spot clean. Do not use common household cleaners on lamps or fixtures, as the lacquer on the outside of the brass may be damaged as a result.