

YARDISTRY STRUCTURES- COLLECTION SERIES CS007

YM11527

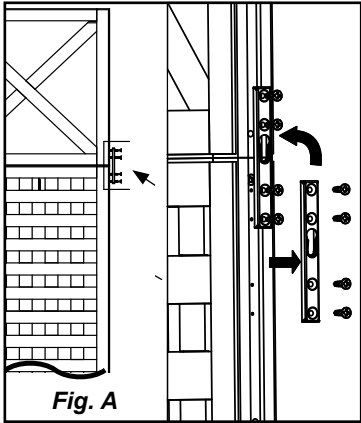


Fig. A

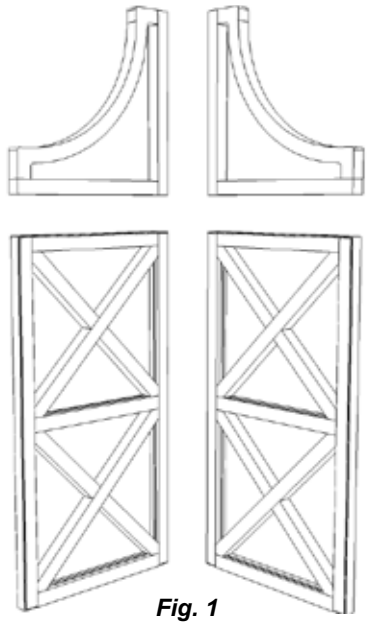
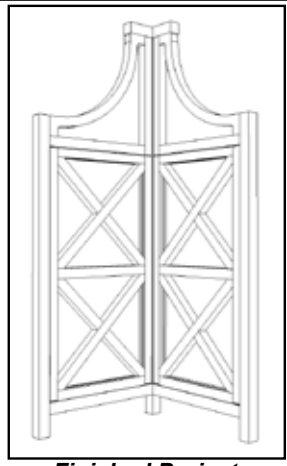


Fig. 1

1. Assemble panels in configuration shown. (Fig.1) Remove upper metal connectors on both sides of the 2 high panels, slide the connectors up and reattach to join top and bottom panels. Use factory drilled holes on original panel (Fig. A.)

***Ensure Panels are oriented correctly! (Fig. B)**



Finished Project

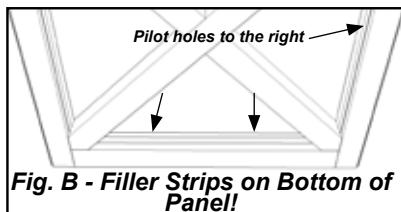


Fig. B - Filler Strips on Bottom of Panel!

2. Secure Panels with 2 1/4" screws provided in pre-drilled holes as indicated by arrows. (Fig. 2)
3. Remove protruding male connectors to ensure flush connection with 2x2 posts in later steps. (Fig. D)
4. Cut Posts and Rails to size indicated. (Fig. 2) Circles and Triangles indicate a 45° cut. (Use a Mitre Box or Mitre Saw)
5. Where indicated by a triangle, use a 1/8" drill bit to pre-drill a hole into the 2x2 Rail. (Fig. E)

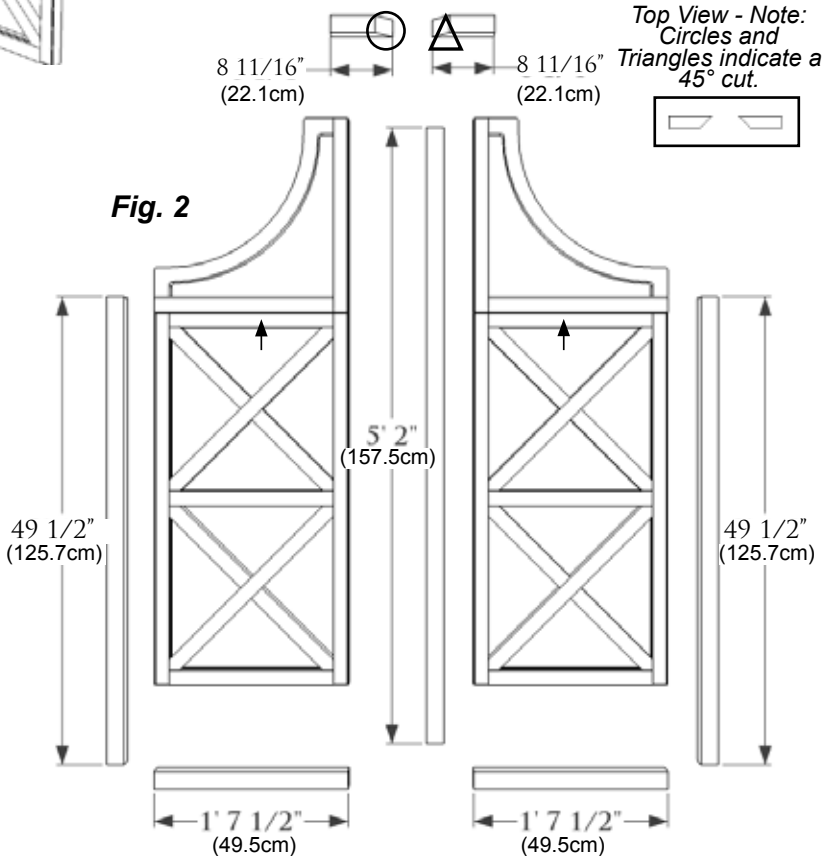


Fig. 2

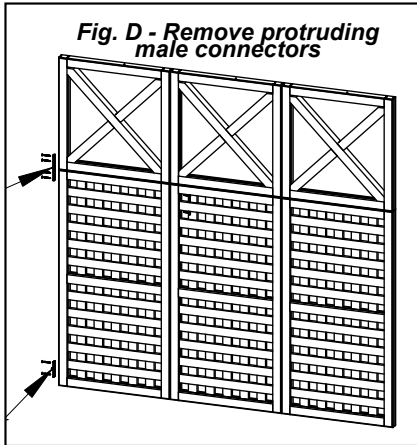


Fig. D - Remove protruding male connectors

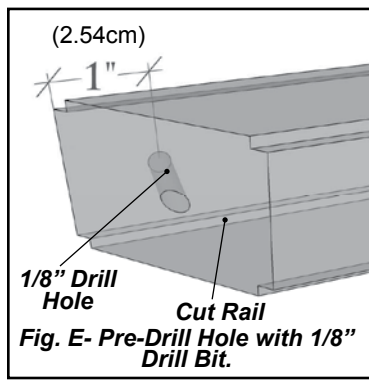


Fig. E- Pre-Drill Hole with 1/8" Drill Bit.

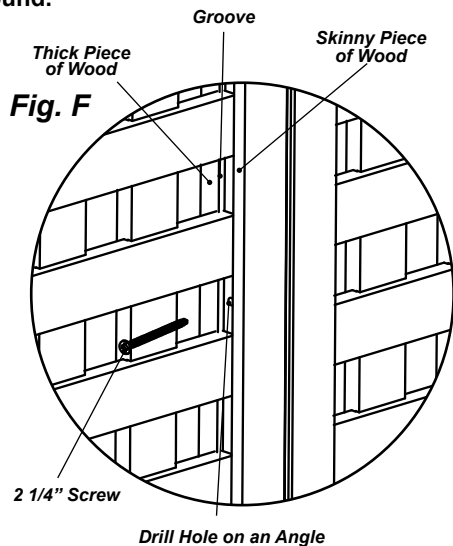
2 x Two High X Panel | 2 x Arch Topper

4x -2"x2"x62" Post/Rail

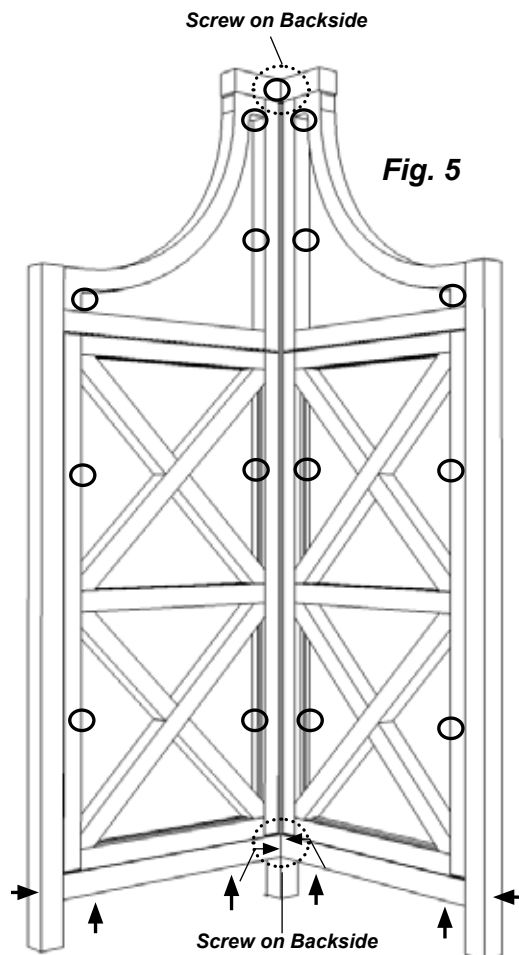
7. Attach Post and Rails to panels with 2 1/4" screws in locations indicated by **circles** using pre-drilled holes where available. (Fig. 3) When pre-drilled holes are not available use a 1/8" Drill Bit to drill holes on an angle in the inside of the panel as shown. (Fig. F)

8. Using a 1/8" drill bit, pre-drill Post and Rails in locations indicated by the **arrows** and attach to side posts using 2 3/4" screws. (Fig. 3)

***If you purchased the Post Stake to secure your project, please refer to the instructions provided with the post stake to anchor your project to the ground.**



Center the Panels on Posts and Rails before attaching!



!Important Safety Notice!

- Yardistry components are intended for privacy, decorative and ornamental use only. **Product is NOT INTENDED for the following:**
 - A safety barrier to prevent unsupervised access to pools, hot tubs, spas, or ponds.
 - Safety railings for elevated platforms or decks.
 - As load bearing support for a building, structure, heavy objects or swings. - Used in structures that trap wind, rain or snow that would create extra load on the product.
- **Permanent structures may require a building permit.** As the purchaser and or installer of this product you are advised to consult local planning, zoning, and building inspection departments for guidance on applicable building codes and or zoning requirements.
- **Wood is NOT flame retardant and will burn.** Grills, fire pits and chimneys are a fire hazard if placed too close to a Yardistry structure. Consult user's manual of the grill, fire pit or chimney for safe distances from combustible materials.
- **During installation, follow all safety warnings provided with your tools and use OSHA approved safety glasses.**
- **Some structures may require two or more people to install safely. Check for underground utilities before digging or driving stakes into the ground!**

General Information: Wood components are manufactured with Cedar (C. Lanceolata) which is protected with factory applied water-based stain. Knots, small checks (cracks) and weathering are naturally occurring and do not affect the strength of the product. Annual application of a water-based water repellent sealant or stain will help reduce weathering and checks.

Warranty: Yardistry Limited products are backed by a 5 year limited lifetime warranty from the date of original retail purchase for manufacturing defects and if installed as per manufacturer's installation instructions.

Patents Pending

www.YardistryStructures.com