

# STORAGE

scale<sup>1:1</sup>  
furniture & lighting

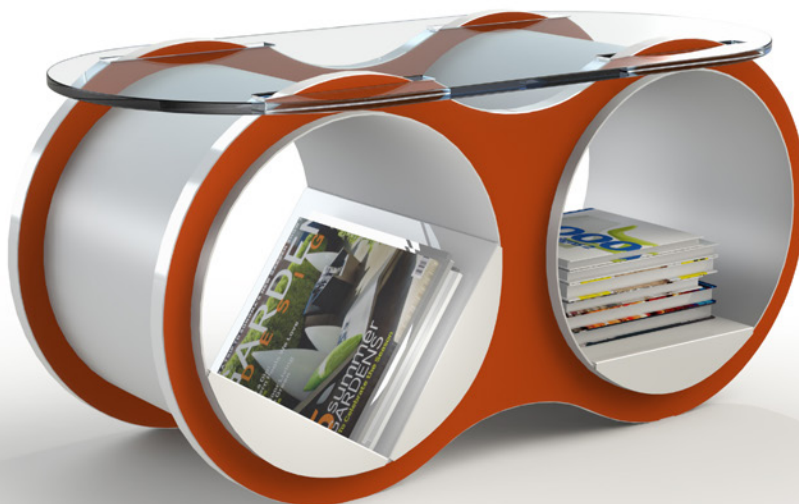
# BOLLA<sup>2</sup>

coffee table

**Glass** Top



Slotted **Glass** Top



Proudly designed and  
fabricated in California.



# STORAGE

scale<sup>1:1</sup>  
furniture & lighting

## BOLLA<sup>2</sup> coffee table

Bolla 2 was born from the same geometric design as Bolla Shelving System to become a distinguished Coffee Table, adding function with style as a center table, with two storage compartments for magazines, books and accents. Currently available in 5 select colors to suit any environment. BOLLA 2 Coffee Table has two styles of tops, to be chosen between the standard glass or the slotted glass top. Bolla 2 packs flat for shipping, and can be assembled in seconds. Designer: David Winston. Made in USA

Patent # 70352-00002

Height: 20" Width: 38" Depth: 19"

### Features:

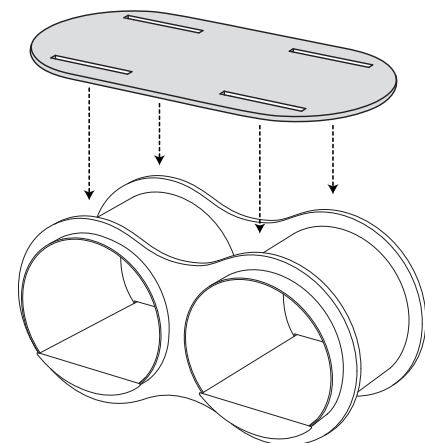
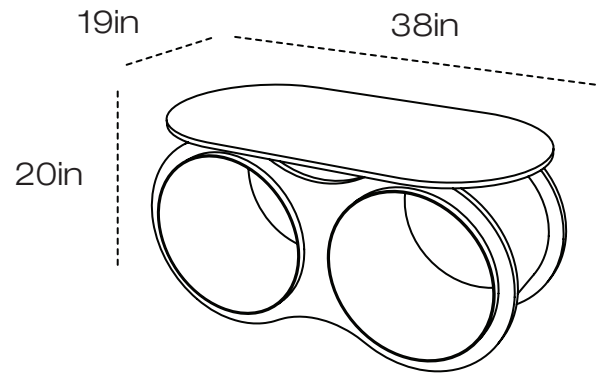
- No Tools required to assemble
- Adjustable reposition-able shelves
- Customization using BOLLA accessories
- included 3/8" tempered glass top (based on order option)

### Materials:

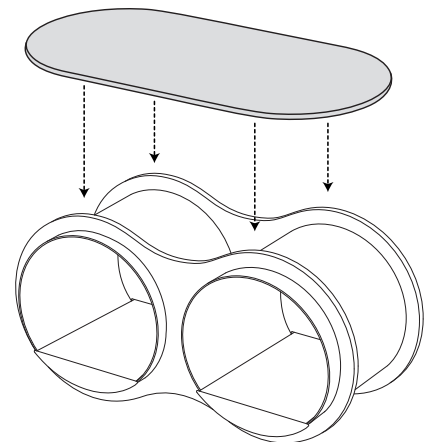
- Ultra-thin Hi-impact flexible plastic tubes.
- Wood composite panel with GREENGUARD certified laminate.
- Lightweight Metal shelving

### Accessories:

- Extra SHELVES for additional configurations



slotted glass top



glass top

