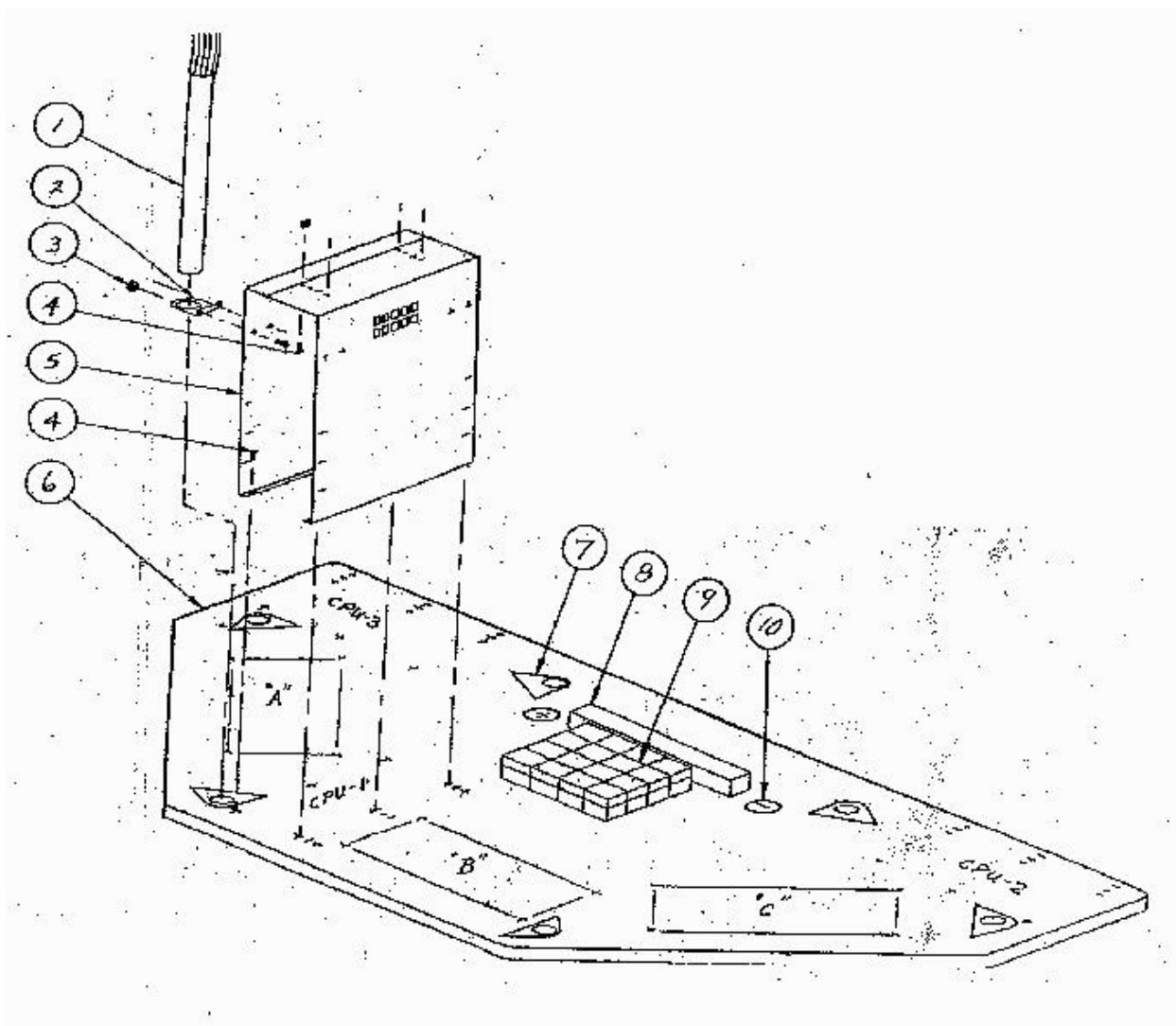


## ASSEMBLY INSTRUCTIONS: 3 STATION WORKCENTER (1500)



HARDWARE		
QUANTITY	PART NUMBER	DESCRIPTION
6	1010545	10/32 LOCKNUT
6	1010555	10/32 X 1/2" MACHINE SCREW

### INSTRUCTIONS

1. Lay the top upside down on a clean, scratch free surface.
2. Assemble the CPU's according to their separate instructions and hardware.
3. Attach the bracket positioned to the CPU side using two 10/32 X 1/2" machine screws and two 10/32 locknuts.
4. Align CPU over inserts in top and attach using six 10/32 X 1/2" machine screws. Finger tighten only.
5. Insert the leg through the bracket and thread the leg into the leg mount in the top.

6. Tighten all screws.
7. Repeat steps 3 to 6 for the other two CPU's.
8. Fasten the remaining the remaining three legs into their leg mounts.
9. Assemble the keyboards according to their separate instructions and hardware.
10. Mount the keyboards in line with the inserts in the top.
11. Turn the table over.

NOTE: Three to four people will be needed for this step.

CAUTION: Do not roll the table over putting all of its weight on only a few of the legs while doing so. This may cause damage to the legs.

12. Place the 20" wire channel in desired location for wire management.