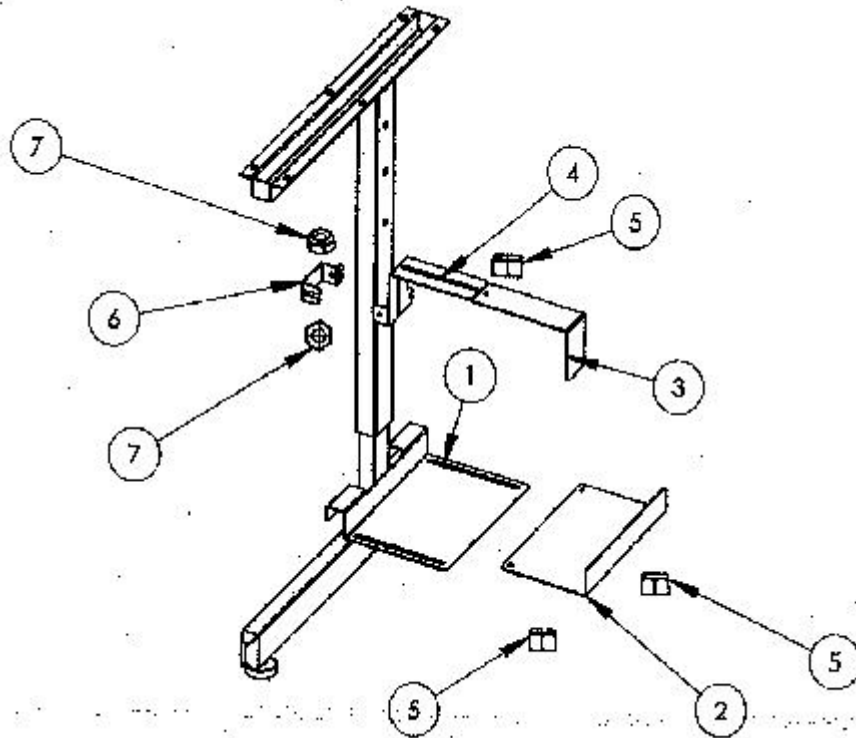


ASSEMBLY INSTRUCTIONS: COMPUTER RACK (CPR)



HARDWARE		
QUANTITY	PART NUMBER	DESCRIPTION
2	1010545	10/32 LOCKNUT
3	1010550	¼-20 LOCKNUT

INSTRUCTIONS

1. Attach lower CPU clamp to lower leg CPU platform using two ¼-20 locknuts. Adjust to the width of the bottom of your CPU tighten two locknuts.
 2. Place this assembly over the bottom portion of your leg.
NOTE: On a leg that has two uprights, center the lower leg CPU platform on the front upright. On a leg that has one upright, center the lower leg CPU platform on this upright. This CPR is designed to go on the inside or outside of most Paragon Furniture products. Please be aware that on some leg designs, if you have a tall CPU, the CPU may interfere with the modesty panel when mounted on the inside of the leg.
 3. Place your CPU onto the lower leg CPU platform and assure locknuts are tight.
 4. Attach upper CPU clamp to large upper leg bracket using one ¼-20 locknut. Finger tighten only.
 5. Attach large upper leg bracket to small upper leg bracket using two 10-32 locknuts. Finger tighten only.
 6. Slide this assembly down the leg until it makes contact with the top of the CPU. Tighten two 10-32 locknuts.
 7. Slide upper CPU clamp towards the leg until it securely clamps the upper portion of the CPU. Tighten in place.
- NOTE: See the inset drawing which shows completed assembly for further clarity.