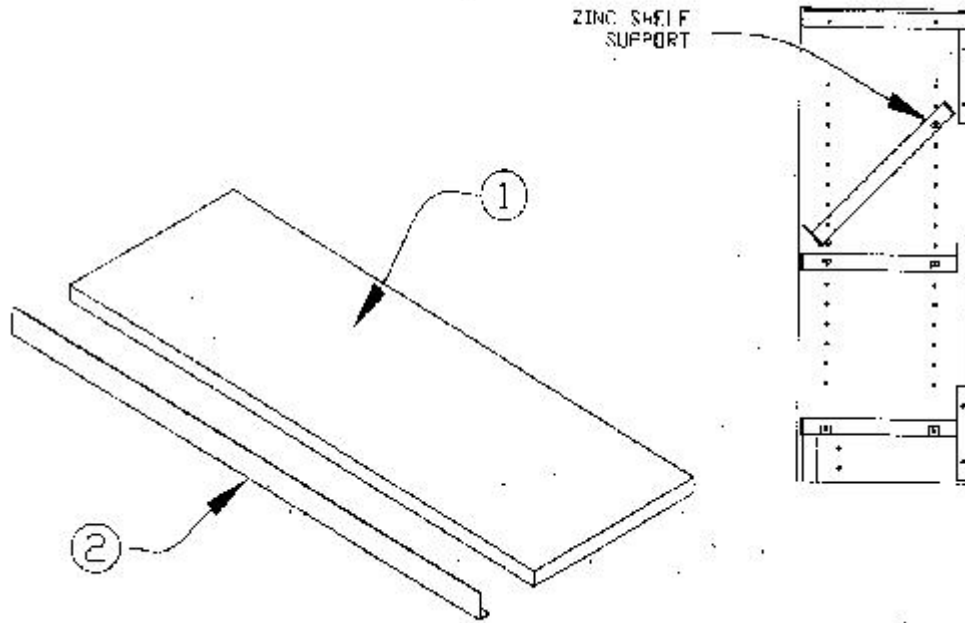


## ASSEMBLY INSTRUCTIONS: WOOD MAGAZINE SHELF ACCESSORY (MSA)



HARDWARE		
QUANTITY	PART NUMBER	DESCRIPTION
2	1010544	#6-1/2" PAN HEAD SCREW
2	1010588	5MM SHELF SUPPORT-ZINC
2	10105881	5MM SHELF SUPPORT-BRONZE
4	1010589	#8-3/4" FLAT HEAD SCREW

### INSTRUCTIONS

1. Install deflecta stop onto bottom of magazine shelf using #6-1/2" pan head screws.
2. Place two zinc 5mm shelf supports in desired location towards back of shelving unit.
3. Place magazine shelf onto zinc 5mm shelf supports and screw up through hole in shelf support with two #6-1/2" pan head screws into predrilled hole in wood shelf.