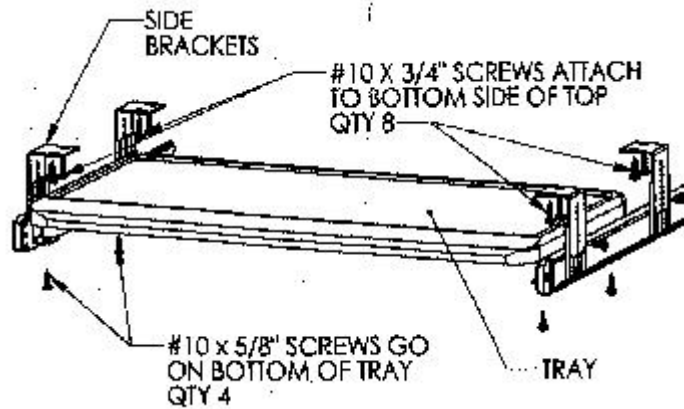


ASSEMBLY INSTRUCTIONS: KEYBOARD



HARDWARE		
QUANTITY	PART NUMBER	DESCRIPTION
8	1010540	#10 - 3/4" WOOD SCREW-BLK
4	1010543	#10 - 5/8" WOOD SCREW-BLK
4	10105450	#6-32 3/8" MACHINE SCREW

INSTRUCTIONS

1. Install side brackets to drawer slides as shown using #6-32 3/8" machine screws.
2. Install tray to drawer slides using the #10 – 5/8" wood screws.
3. Install tray assembly to underside of table top using #10 – 3/4" wood screws.