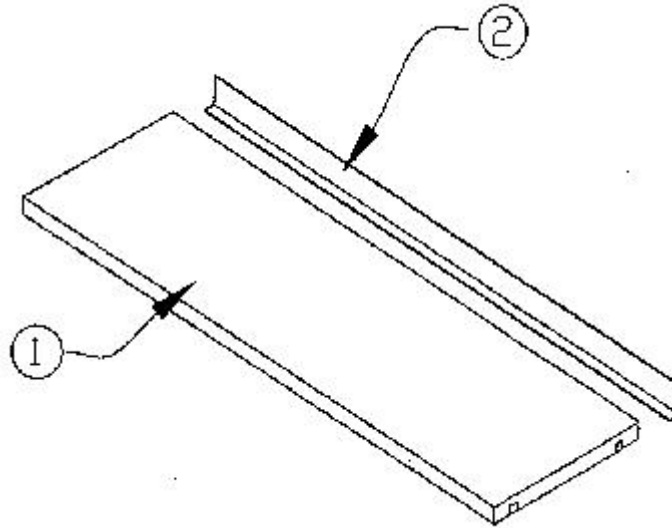


**ASSEMBLY INSTRUCTIONS: WOOD FLAT SHELF ACCESSORY (FSA)**



HARDWARE		
QUANTITY	PART NUMBER	DESCRIPTION
4	1010583	PLUG FIT TAB V
4	1010589	#8-3/4" FLAT HEAD SCREW

**INSTRUCTIONS**

1. Install deflecta stop onto bottom of magazine shelf using #8-3/4" flat head screws.
2. Place plug fit tab v in desired location.
3. Install shelf in desired location.