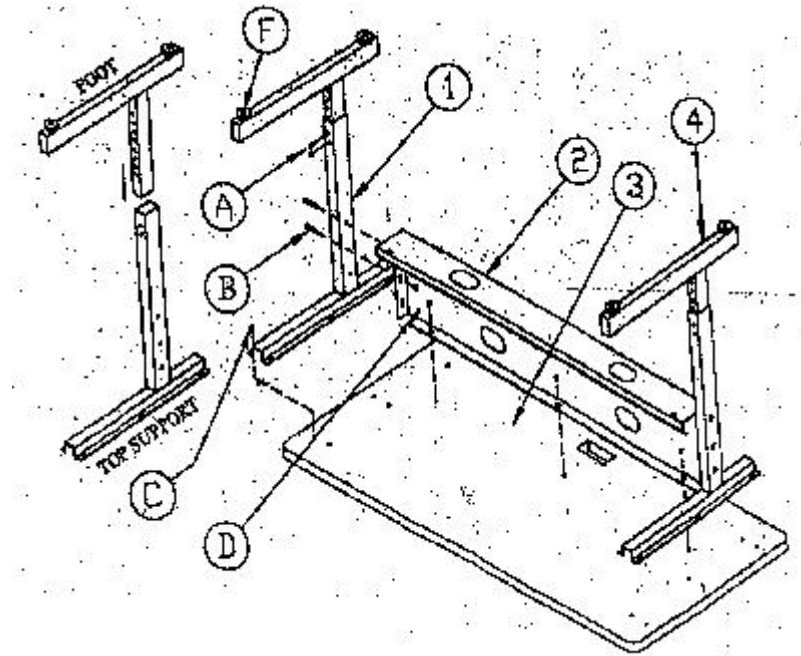


## ASSEMBLY INSTRUCTIONS: STUDENT COMPUTER DESK (SCD)



HARDWARE		
QUANTITY	PART NUMBER	DESCRIPTION
4	1010530	FLOOR GLIDE
2	1010535	RUBBER GROMMET
4	1010541	3/8"-16 X 1/2" SET SCREW
1	1010549	3/16" HEX KEY
15	1010555	10/32 X 1/2" MACHINE SCREW
4	1011032	1/4"-20 X 17MM JOINT NUT
4	1011038	1/4"-20 X 23MM JOINT BOLT

### INSTRUCTIONS

1. Lay top down on a clean scratch free surface.
2. To assemble leg, slide foot into top support and fasten together at desired height using two 3/8"-16 x 1/2" set screw. Tighten securely. Do this on both the right and left side.
3. Attach leg to table top using six 10-32 x 1/2" machine screws. Finger tighten only to start with. Do this on both the right and left side.
4. Attach modesty panel to table top using three 10-32 x 1/2" machine screws. Finger tighten only.
5. Attach ends of modesty panel to legs using four 1/4"-20 x 17mm joint nuts and 1/4"-20 x 23mm joint bolts. Tighten securely.
6. Go back and tighten all previously finger tightened screws.
7. Install four floor glides into legs.
8. Turn table upright and level using the four floor glides located on the bottom of the adjustable legs.
9. Add two rubber grommets for wire protection to the modesty panel at desired locations.