

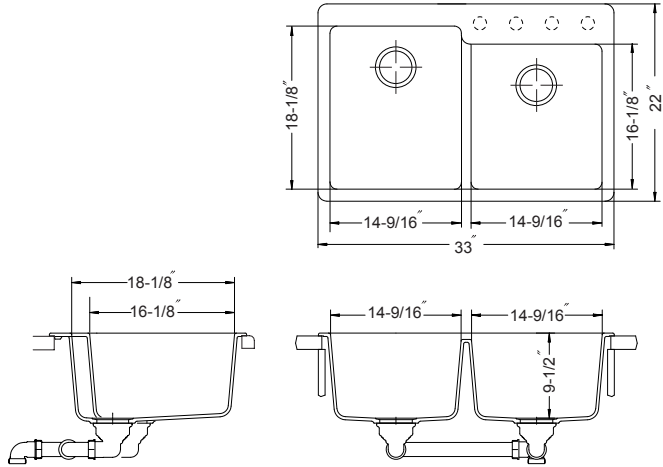
SCHOCK ◀ HOUZER
Topmount 60/40 Double Bowl
Model Madison N-175



Madison N-175

FEATURES

- CRISTALITE⁺
- 9-1/2" depth • Pre-scored up to 4 faucet holes
- Intrinsically hygienic Non-porous surface
- Antibacterial protection with silver ion Antibac[®]
- Silky to the touch, 3 times harder than natural granite
- Food-safe, UV-stable-will not fade
- Heat resistance to +500°F
- Highest resistance to thermal shock, scratches and chips
- Color-fast throughout
- Fits 36" sink base • cUPC listed
- Supplied with cutout template, fasteners and instructions
- Lifetime Limited Warranty



OPTIONAL ACCESSORIES

Bottom Grid: 629702(large bowl), 629703(small bowl)
Cutting Board : CB-4100 Wire Tray: WT-3500
Strainer Options: Stainless steel strainers, Color strainers, Color disposal flanges

OVERALL DIMENSIONS	EACH BOWL	CUTOUT SIZE	PACKAGING*	WEIGHT*
33" x 22"	14-9/16" x 18-1/8" 14-9/16" x 16-1/8"	See Template	1/10 pcs.	51/550lbs.

*Standard packaging: Single boxed /Pallet of single boxed.
All dimensions are in inches. Specifications subject to change without notice.

Available Colors



Project/Job name
Architect/Engineer
Contractor
Model
Notes

Q'ty