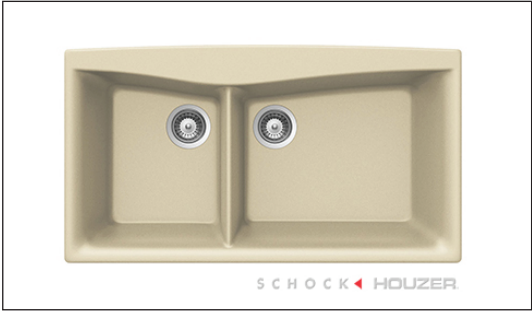


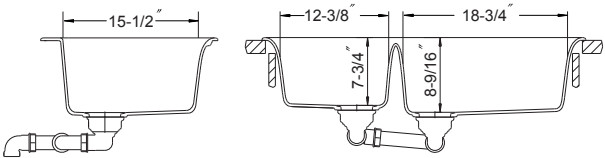
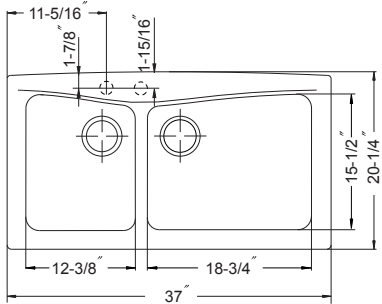
SCHOCK ◀ HOUZER
Dual mount 70/30 Double Bowl
Model Arco N-175



Arco N-175

FEATURES

- CRISTALITE⁺
- 7-3/4" and 8-9/16" depth • Dual mount (Topmount or Undermount)
- Pre-scored up to 2 faucet holes
- Intrinsically hygienic Non-porous surface
- Antibacterial protection with silver ion Antibac[®]
- Silky to the touch, 3 times harder than natural granite
- Food-safe, UV-stable-will not fade
- Heat resistance to +500°F
- Highest resistance to thermal shock, scratches and chips
- Color-fast throughout
- Fits 42" sink base • cUPC listed
- Supplied with cutout template, fasteners and instructions
- Lifetime Limited Warranty



OPTIONAL ACCESSORIES

Bottom Grid: 629715(left), 629716(right)
Strainer Options: Stainless steel strainers, Color strainers, Color disposal flanges

OVERALL DIMENSIONS	EACH BOWL	CUTOUT SIZE	PACKAGING*	WEIGHT*
37" x 20-1/4"	12-3/8" x 15-1/2" 18-3/4" x 15-1/2"	See Template	1/10 pcs.	46/500lbs.

*Standard packaging: Single boxed /Pallet of single boxed.
All dimensions are in inches. Specifications subject to change without notice.

Available Colors



Project/Job name
Architect/Engineer
Contractor
Model
Notes

Q'ty