

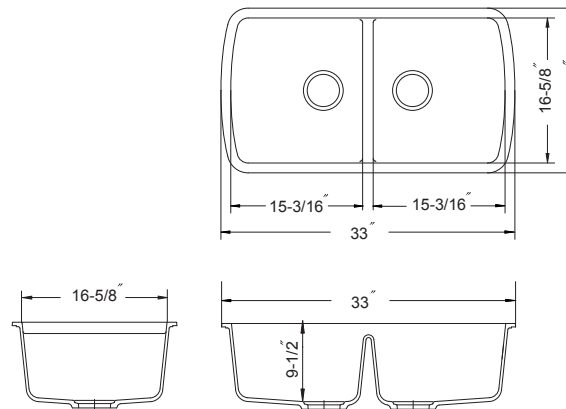
SCHOCK ◀ HOUZER
Undermount 50/50 Double Bowl
Model Solido N-200



Solido N-200

FEATURES

- CRISTALITE⁺
- 9-1/2" depth
- Intrinsicly hygienic Non-porous surface
- Antibacterial protection with silver ion Antibac[®]
- Silky to the touch, 3 times harder than natural granite
- Food-safe, UV-stable-will not fade
- Heat resistance to +500°F
- Highest resistance to thermal shock, scratches and chips
- Color-fast throughout
- Fits 36" sink base • cUPC listed
- Supplied with cutout template, fasteners and instructions
- Lifetime Limited Warranty



OPTIONAL COLORS



OVERALL DIMENSIONS	EACH BOWL	CUTOUT SIZE	PACKAGING*	WEIGHT*
33" x18-15/16"	15-3/16" x 16-5/8"	See Template	1/10 pcs.	51/550lbs.

*Standard packaging: Single boxed /Pallet of single boxed.
All dimensions are in inches. Specifications subject to change without notice.

OPTIONAL ACCESSORIES

Bottom Grid: 629713
Strainer Options: Stainless steel strainers,
Color strainers, Color Disposal flanges

Project/Job name

Architect/Engineer

Contractor

Model Q'ty

Notes

OPTIONAL ACCESSORIES

Bottom Grid: 629713

Strainer Options: Stainless steel strainers, Color strainers, Color disposal flanges