

ASSEMBLY INSTRUCTIONS (XB)

MODEL NO. 359

Made in China

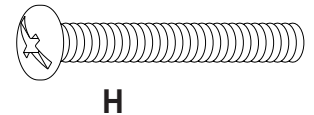
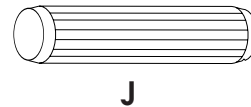
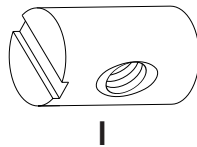
Thank you for purchasing this quality product. Be sure to check all packing material carefully for small parts which may have come loose inside the carton during shipment. Separate, identify, and count all parts and metal hardware. Compare with parts list to be sure all parts are present. If any part(s) are missing or damaged, phone, fax, or mail to our Customer Service Department. For efficient and speedy service, please indicate the model number and code letter of part(s) needed.

PARTS

- | | |
|----------------------------|-------------------------|
| (A) SHORT SIDE PANELS (2) | (F) SMALL TOP |
| (B) MEDIUM SIDE PANELS (2) | (G) BLOCKS (12) |
| (C) LONG SIDE PANELS (2) | (H) MACHINE SCREWS (24) |
| (D) LARGE TOP | (I) HANGER BOLTS (24) |
| (E) MEDIUM TOP | (J) DOWELS (24) |

HARDWARE ILLUSTRATIONS

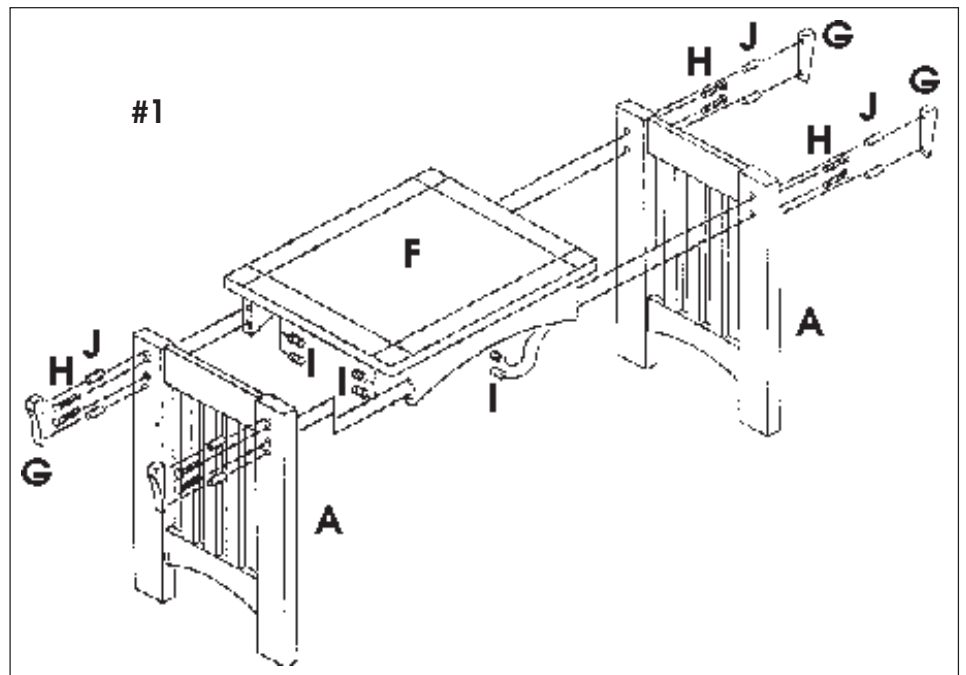
Tools required: Screwdriver

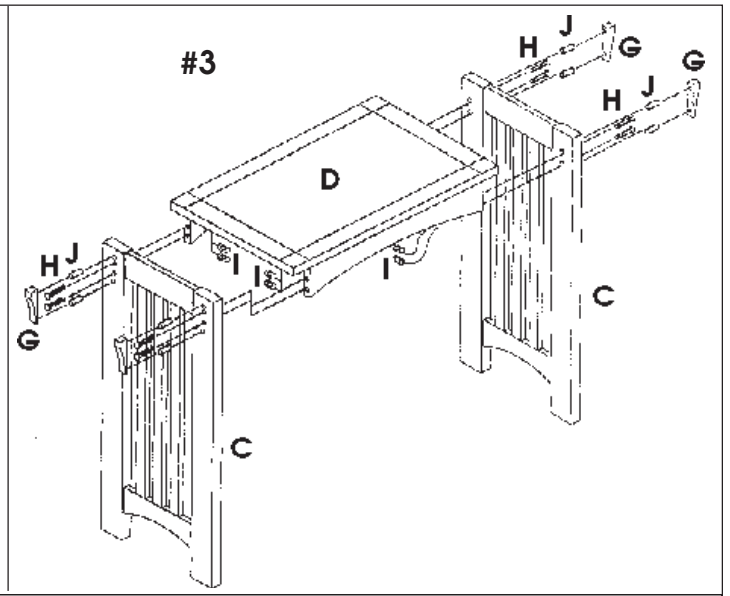
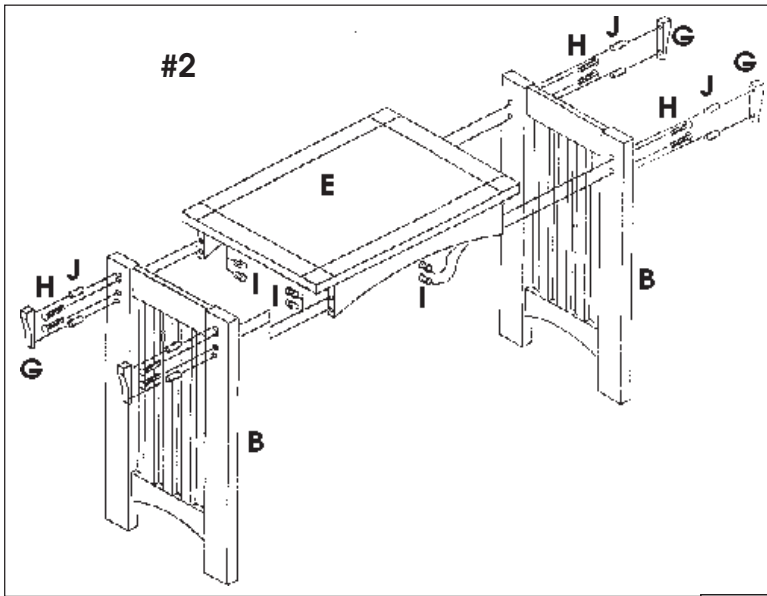


ATTENTION: SOME NUMBERED PARTS LISTED ON THE INSTRUCTION SHEET MAY NOT BE IN PARTS BAG AS THEY MAY ALREADY BE ASSEMBLED. CAREFULLY CHECK PARTS AND PACKING MATERIALS PRIOR TO ORDERING REPLACEMENTS.

IMPORTANT NOTE: Follow instructions listed below in the proper sequence as numbered to assure fast, easy and correct assembly.

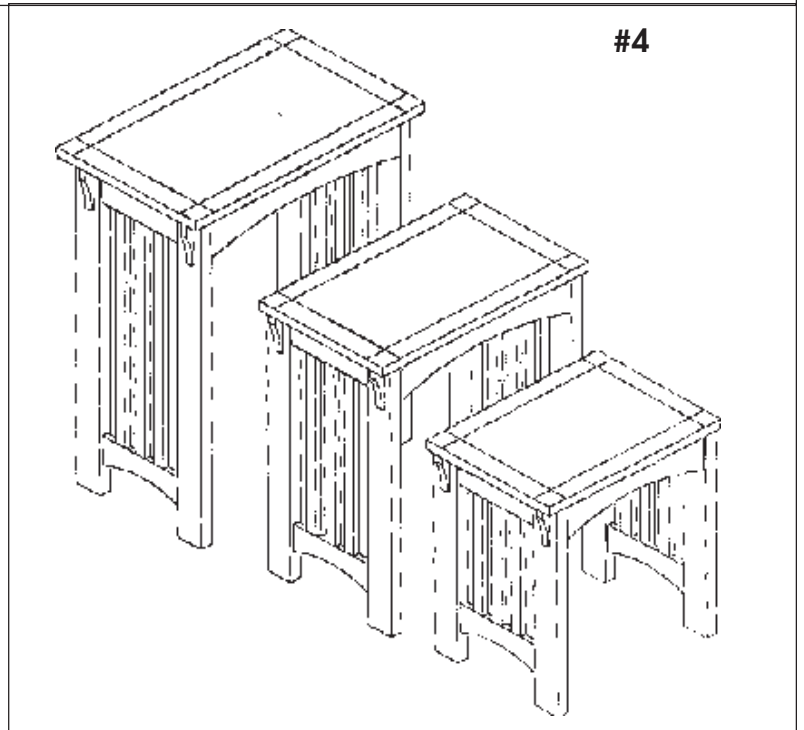
- Note:** Upon opening, thoroughly clean all wood surfaces with furniture polish to remove dust and dirt that may have settled onto finish during shipment.
- Place parts on a soft cloth. Insert Hanger Bolts (I) into large holes on Small Top (F). Insert Machine Screws (H) through Short Side Panels (A), Small Top (F) and tighten into Hanger Bolts (I). Insert Dowels (J) into Blocks (G). With curve of Blocks (G) facing downward, insert Dowels (J) extending from Blocks (G) into Short Side Panels (A). (See ill. #1)





3. Repeat step #1 to assemble Medium and Long Side Panels (B,C) to Medium and Large Tops (E,D). To nest tables, place smaller table under next larger table. (See ill. #2,3,4)

4. Your furniture has been handcrafted and skillfully finished by fine craftsmen. Rich, deep antique finishes have been applied which require very little polish. However, should you desire a shinier finish, simply use any good grade of furniture polish, rubbing the finish lightly as it is being applied. Allow to dry and buff lightly with a soft cloth.



If you have a problem, we want to have the opportunity to make it right!

Should there be any missing or defective part(s),

PLEASE DO NOT RETURN THIS PRODUCT TO THE STORE

(Many problems can be resolved without returning this product to the retailer)

© 1999 Powell
Model No.

359

FAX this form to (310) 841-0842

or call Customer Service at (800) 622-4456 or (310) 204-2224
Have your model number and part code letter handy.

Name _____

Address _____

Daytime Phone () _____

Reason for Replacement _____

Place of Purchase _____

Part Letter	Description	Quantity

Powell Service Department • P.O. Box 1408, Culver City, CA 90232-1408

Made in China