

Multi-Purpose Table

Model LT36RD 36" Round

Assembly Instructions

Step 1a: Attach Leg Supports (D) to Center Post (B) using Screws (H).

Step 1b: Attach Center Post Cap (E) to bottom of Center Post (B).

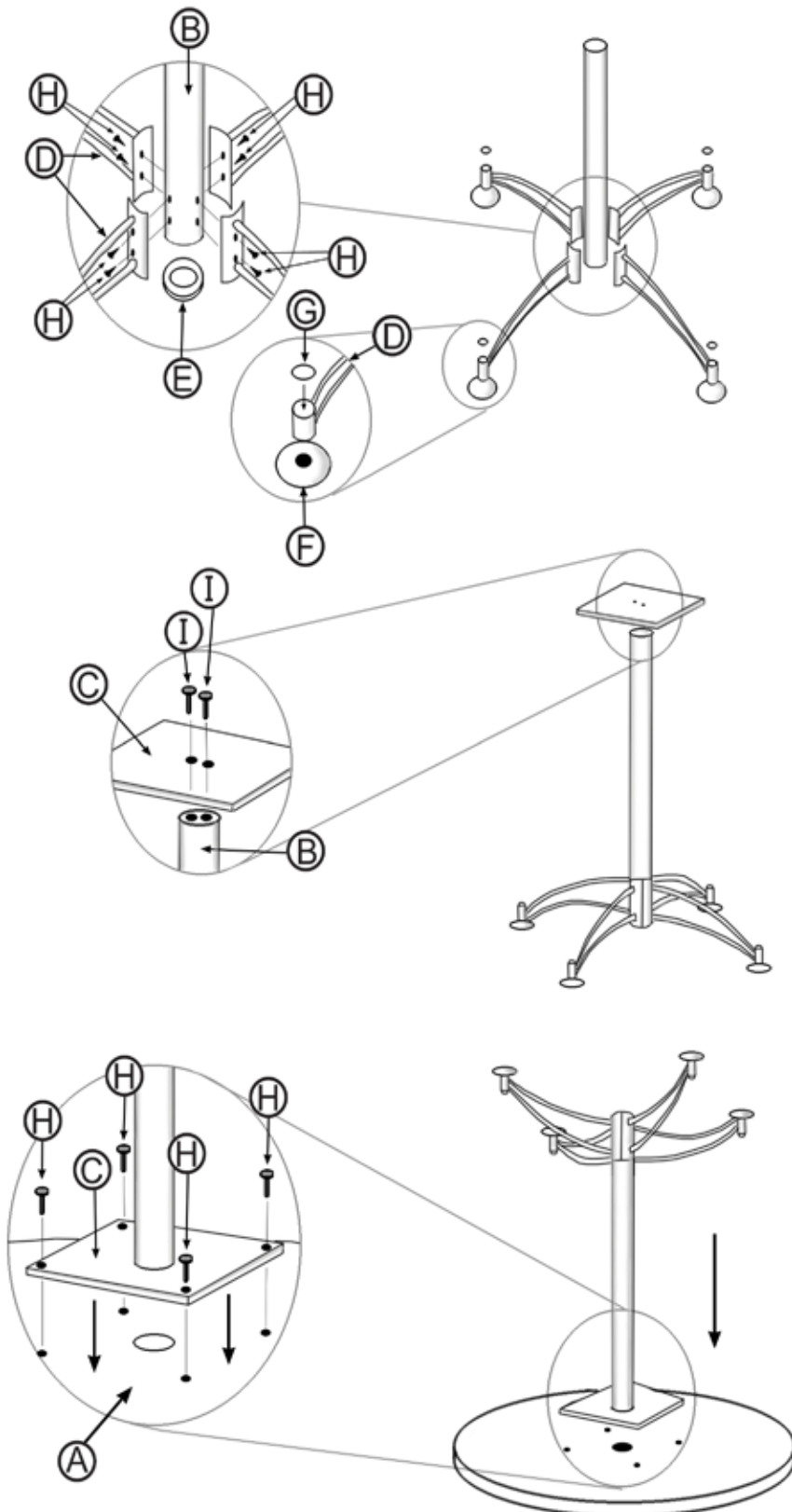
Step 1c: Attach Leveling Glide Cap (G) and Leveling Glides (F) to Leg Supports (D).

Step 2: Attach Table Top Support to Center Post (B) using Table Top Support Screws (I).

Step 3: Attach Table Top Support to bottom of Table Top using Table Top Support Screw (I).

Parts List

- 1 - Table Top (A)
- 1 - Center Post (B)
- 1 - Table Top Support (C)
- 4 - Leg supports (D)
- 1 - Center Post Cap (E)
- 4 - Leveling Glides (F)
- 4 - Leveling Glide Cap (G)
- 12 - Screw (H)
- 2 - Table Top Support Screw (I)



ofm OFM, INC.
Furniture for the Real Office

Holly Springs, NC, USA
800-520-7471 (voice)
919- 303-6389 (voice)
919-362-4765 (fax)
support@ofminc.com
www.ofminc.com