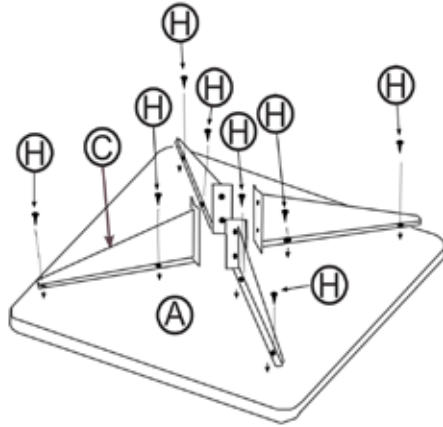


Multi-Purpose Table

Model LT42RD 42" Round ▪ Model LT36SQ 36" Square ▪ Model LT42SQ 42" Square

Assembly Instructions

Step 1a: Turn Table Top (A) upside down to expose screw holes. It is recommended to use a towel to keep the surface clean when turning it upside down.



Step 1b: Place Table Top Supports (C) on bottom of Table Top (A) and attach using Screws (H). Screw into outer hole first with 2 turns, so the correct inner hole will be lined up correctly. When all Table Top Supports are correctly positioned, tighten screws completely.

Step 2a: Insert Center Post (B) in between Table Top Supports (C) and attach using Screws (H).

Step 2b: Insert Center Post Cap (D) into bottom of Center Post (B).

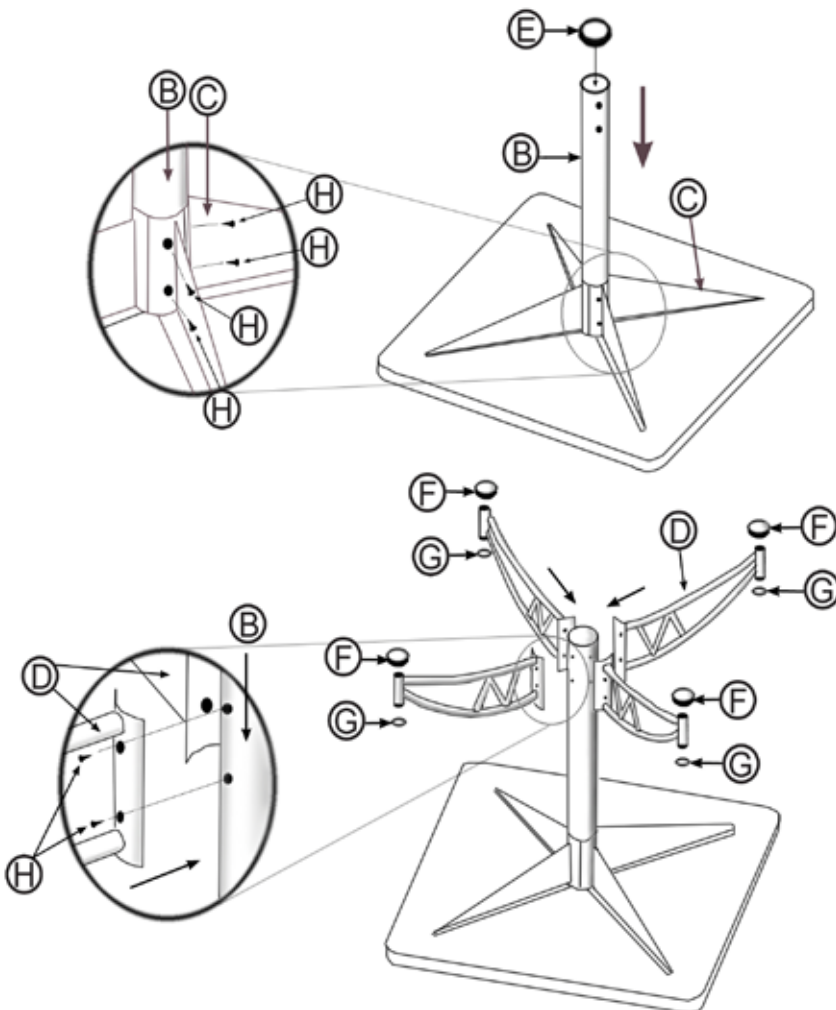
Step 3a: Attach Leg Supports (D) to Center Post using Screws (H).

Step 3b: Attach Leveling Glides (F) to bottom of each Leg Support (D).

Step 3c: Attach Leveling Glide Caps (G) to top of each Leg Support.

Parts List

- 1 - Table Top (A)
- 1 - Center Post (B)
- 4 - Table Top Supports (C)
- 4 - Leg supports (D)
- 1 - Center Post Cap (E)
- 4 - Leveling Glides (F)
- 4 - Leveling Glide Cap (G)
- 24 - Screw (H)



ofm OFM, INC.
Furniture for the Real Office

Holly Springs, NC, USA
800-520-7471 (voice)
919-303-6389 (voice)
919-362-4765 (fax)
support@ofminc.com
www.ofminc.com