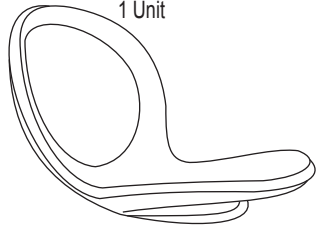


Parts Listing

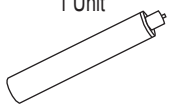
A
Seat
1 Unit



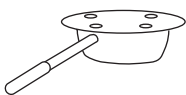
B
Base
1 Unit



C
Gas Lift
1 Unit



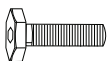
D
Seat Bracket with Handle
1 Unit



E
Plastic Cap
1 Unit



F
8x25mm Screw
4 Units



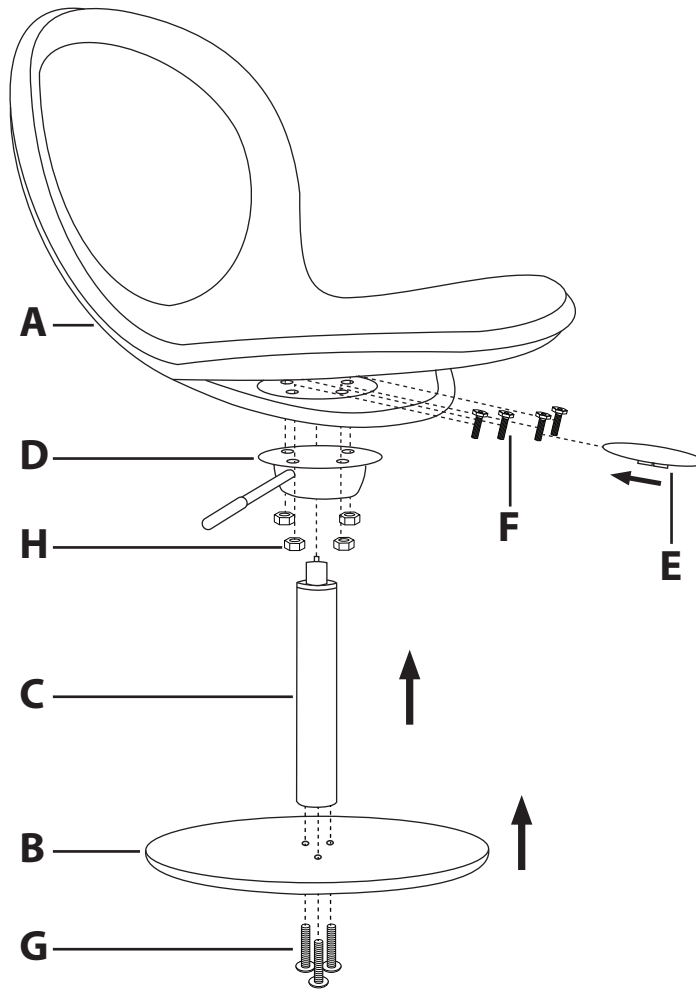
G
8x30mm Screw
3 Units



H
8mm Nut
4 Units



I
Allen Wrench
1 Unit



Assembly Instructions



Tools Needed: Adjustable Wrench and supplied Allen Wrench
Please read all instructions before assembly.

- Step 1:** Attach Base (B) to Gas Lift (C) by inserting 8x30mm Screw (G) up through the bottom of the Base (B) into the Gas Lift (C). Using Allen Wrench (I) tighten securely.
- Step 2:** Attach Seat Bracket with Handle (D) to Seat (A) by aligning the holes between the two. Now insert 8x25mm Screws (F) under metal mesh of Seat (A) and down through holes and Seat Bracket with Handle (D). Attach the 8mm Nuts (H) on the bottom of 8x25mm Screws (F). Using the Allen Wrench (I), tighten all screws securely only when all four have been attached.
- Step 3:** Cover 8x25mm Screws (F) under mesh with Plastic Cap (E).
- Step 4:** Place Seat (A) with attached Seat Bracket with Handle (D) onto the top of the Gas Lift (C). Press down on Seat (A) firmly to secure.

WEIGHT CAPACITY: 300 lbs.

Assembly Notes:

During assembly, hand tighten screws only. When all screws are in place, you may then tighten all screws completely.

CAUTION:

1. Do not use this chair as a step ladder.
2. Check for loose screws and tighten them every 6 months.

ofm^U_Z
Furniture For The Real Office™

161 Tradition Trail, Holly Springs, NC, 27540
800-520-7471 (voice) 919-362-4765 (fax)
919-303-6389 (voice) www.ofminc.com
support@ofminc.com