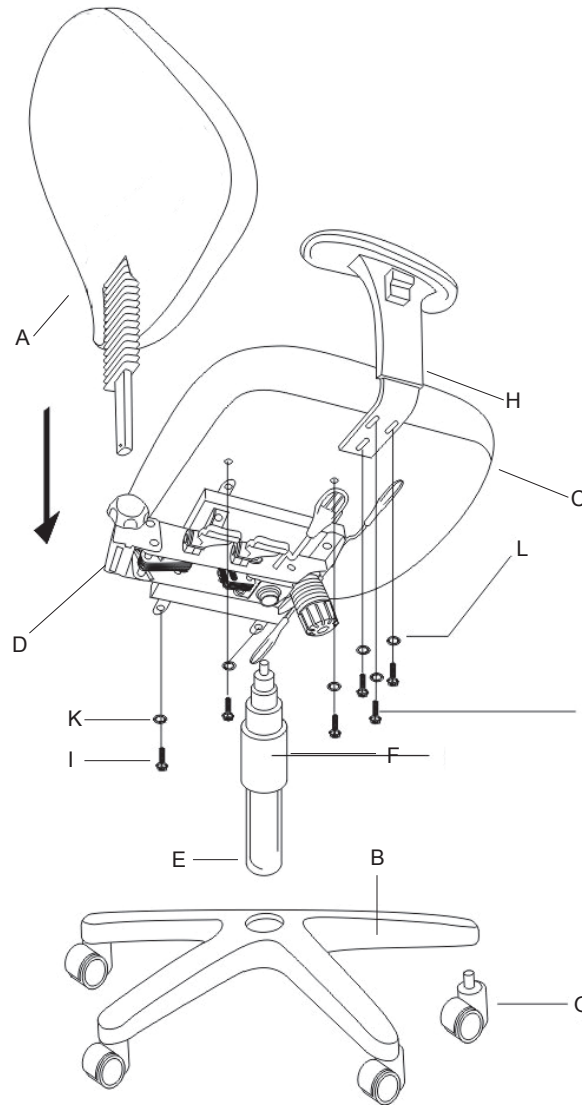
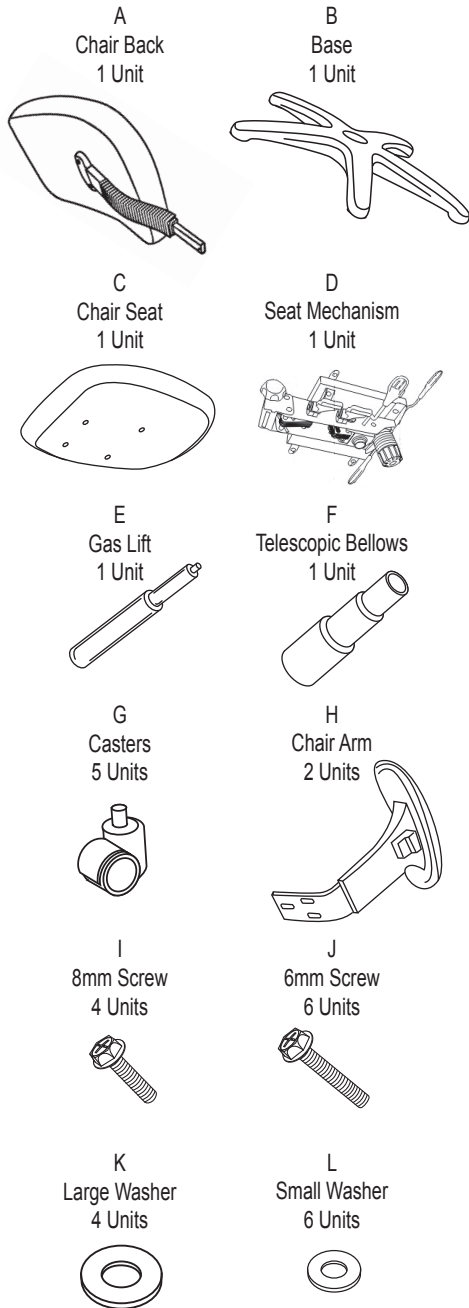


Model 125 / 125-DK Ergonomic Task Chair

Parts Listing



WEIGHT CAPACITY: 250 lbs.

Assembly Notes:

During assembly, hand tighten screw only when all screws are in place, you may then tighten all screws completely.

CAUTION:

1. Do not use this chair as a step ladder.
2. Check for loose screws and tighten them every 6 months.

Assembly Instructions



Tools Needed: Phillips Head Screwdriver
Please read all instructions before assembly.

Step 1: Insert Casters (G) into Base (B).



If you are assembling a model with a DK Foot Ring please proceed to subsequent pages for drafting kit assembly instructions.

Step 2: Insert Gas Lift (E) into Base (B).

Step 3: Cover Gas Lift (E) with 3 piece Telescopic Bellows (F).

Step 4: Place Chair Seat (C) on a level, non-abrasive surface and align pre-drilled holes in Seat Mechanism (D), with holes in Chair Seat.

Step 5: Place four Large Washers (K) onto four 8mm Screws (I) and insert through the holes in the Seat Mechanism (F), and into the Chair Seat (C). Tighten with screwdriver.

Step 6: Attach adjustable arms (H) using three Small Washers (L) and six 6mm screws (J). At this stage, you have some adjustments to how close to the side of the seat the arms should be. Tighten firmly.

Step 7: Carefully place Chair Seat (C) with attached Seat Mechanism (D) onto the Gas Lift (E), aligning the hole in the Seat Mechanism with the Gas Lift. Press down on Chair Seat to secure onto Base.

Step 8: Slide Chair Back (A) with attached back support bar into the slot on Seat Mechanism (D).

Step 9: Hand tighten tension knob on Seat Mechanism (D) until the Chair Back (A) is properly secured.

Step 10: Carefully sit on chair to make sure the Gas Lift (E) is properly inserted into the Base (B).

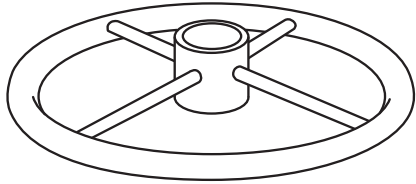
ofm_U_Z
Furniture For The Real Office™

161 Tradition Trail Holly Springs, NC, 27540
800-520-7471 (voice)
919-303-6389 (voice) 919-362-4765 (fax)
support@ofminc.com www.ofminc.com

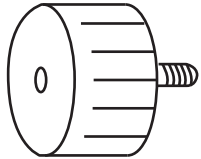
Model DK-2 Drafting Kit Assembly

Parts Listing

A
Circular Foot Rest
1 Unit



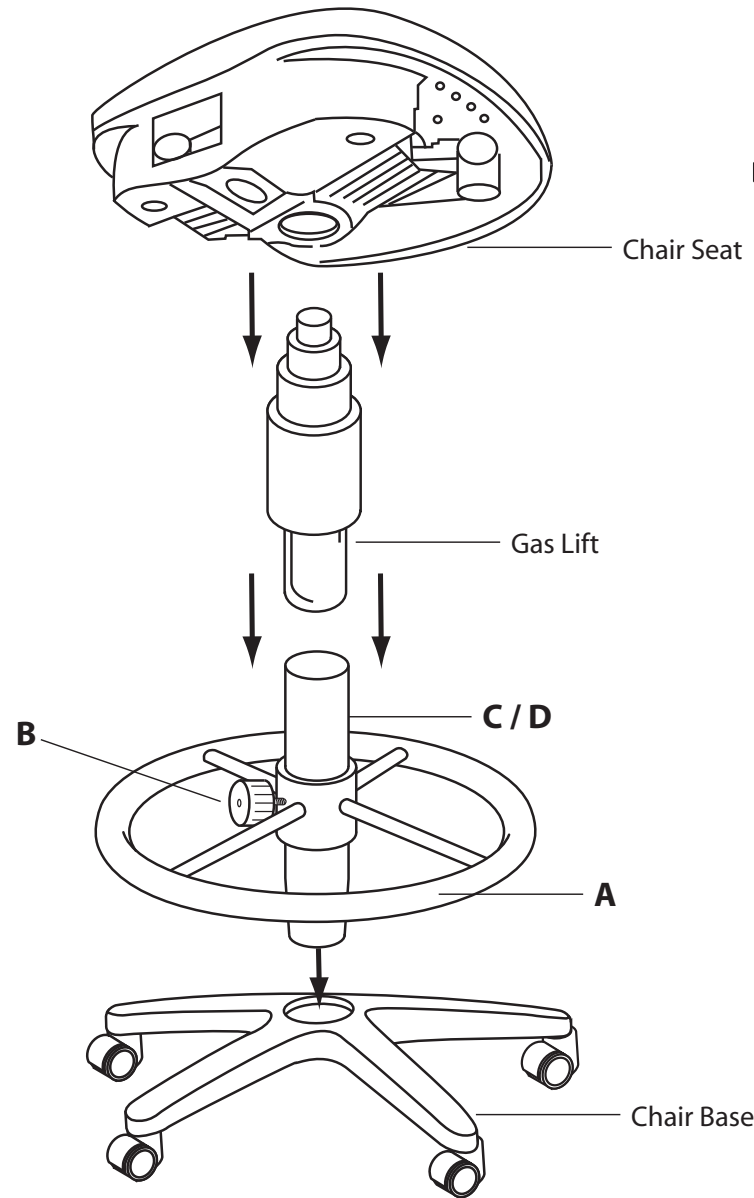
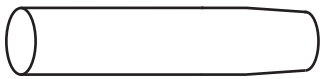
B
Tension Knob
1 Unit



C
9" Extension Tube
1 Unit



D
12" Extension Tube
1 Unit



Assembly Instructions



Please read all instructions before assembly.
Prior to assembly, select only one Extension Tube for desired Height

9" Extension Tube will change seat height from 26.75"-30.25"
12" Extension Tube will change seat height from 29.75"-33.25"

Step 1: Slide the Circular Foot Rest (A) over the smaller tapered end of your chosen Extension Tube (C / D).

Step 2: Screw in Tension Knob (B) and tighten to lock Foot Rest (A).

Step 3: Place the tapered end of Extension Tube (C / D) into your Chair Base.

Step 4: Insert bottom of Gas Lift Cylinder into the top end of the Extension Tube (C / D).

Step 5: Place the Chair Seat onto the Gas Lift by inserting top of Gas Lift into the hole in the Seat Mechanism.

Step 6: Press down firmly to secure the chair.

Note: Save the left over extension tube for future use.

ofm
Furniture For The Real Office™

161 Tradition Trail Holly Springs, NC, 27540
800-520-7471 (voice) 919-362-4765 (fax)
919-303-6389 (voice) www.ofmnc.com
support@ofmnc.com 04.06.2010