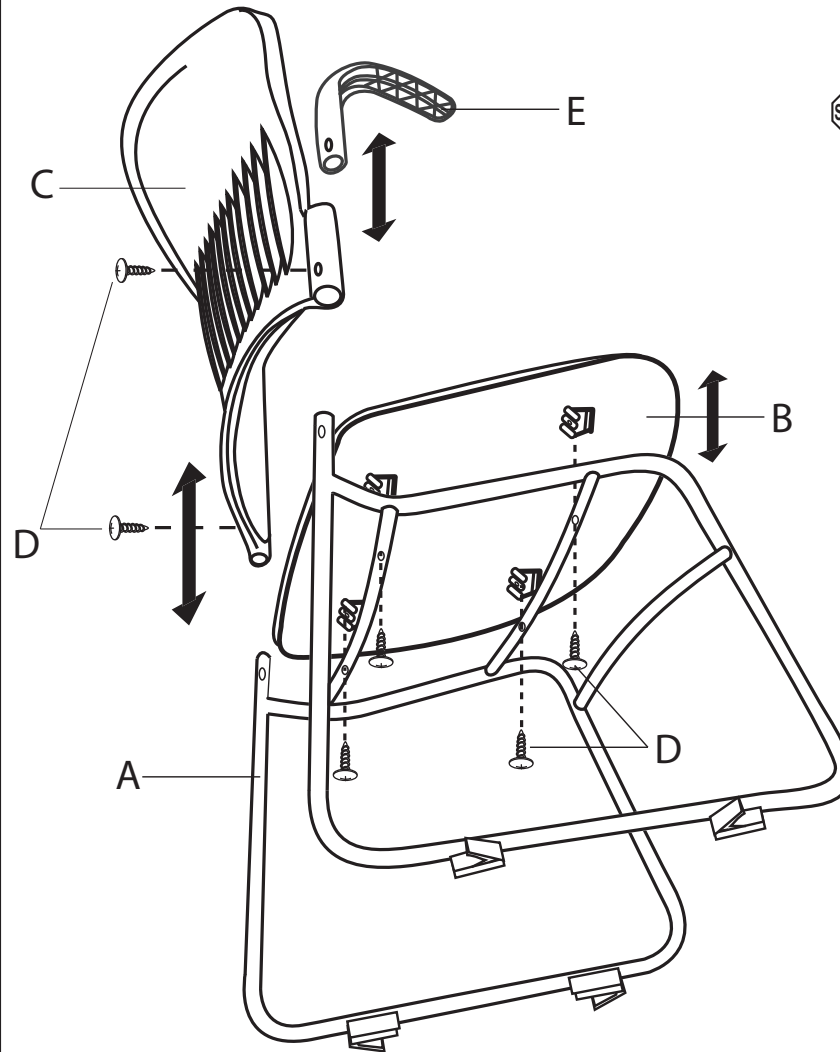
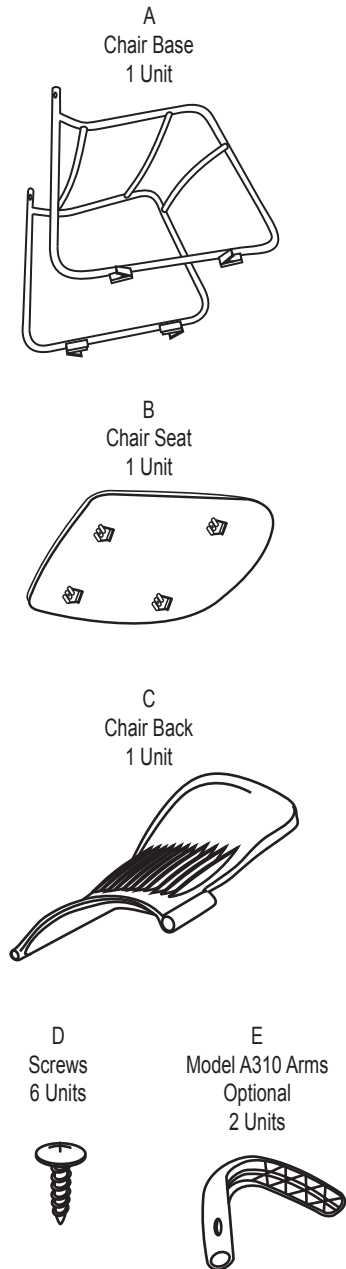


# Model 310-VAM / 310-VAM-A Multi-Use Stack Chair with Vinyl Seat & Back

## Parts Listing



**WEIGHT CAPACITY: 250 lbs.**

### Assembly Notes:

During assembly, hand tighten screw only when all screws are in place, you may then tighten all screws completely.

### CAUTION:

1. Do not use this chair as a step ladder.
2. Check for loose screws and tighten them every 6 months.

## Assembly Instructions



**Tools Needed: Phillips Head Screwdriver**  
*Please read all instructions before assembly.*

**Step 1:** Place Chair Seat (B) onto Chair Base (A), and align screwholes. Insert Screws (D) to secure. Tighten with a screwdriver.

**Step 2:** Slide Chair Back (C) onto posts of Chair Base (A). Align holes and insert Screws (D) to secure. Tighten with a screwdriver

### With Optional Arms (E):

**Step 1:** See Step 1 above.

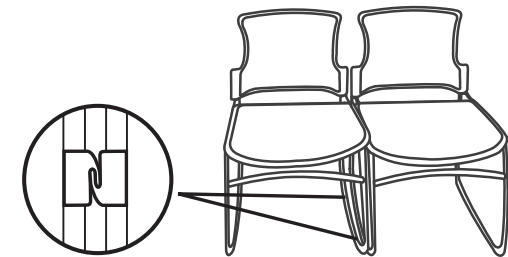
**Step 2:** Slide Chair Back (C) onto posts of Chair Base (A).

**Step 3:** Slide A310 Arms (E) onto sides of Chair Back (C).

**Step 4:** Align holes in arms, back and base and insert Screws (D) to secure. Tighten with a screwdriver.

### Note:

Once Model A310 Arms are added chair is no longer able to stack.



Ganging Brackets are standard on all Model 310-F/310-P/310-VAM Chairs

**ofm**  
Furniture For The Real Office™

161 Tradition Trail Holly Springs, NC, 27540  
800-520-7471 (voice) 919-362-4765 (fax)  
919-303-6389 (voice) www.ofminc.com  
support@ofminc.com