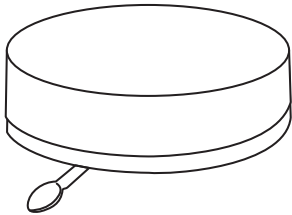
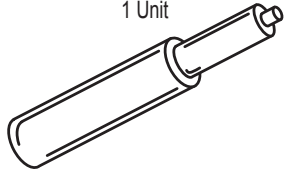


Parts Listing

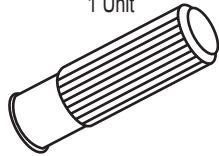
A
Stool Seat
1 Unit



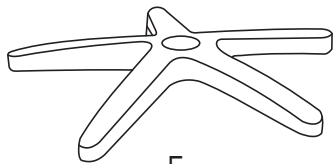
B
Gas Lift
1 Unit



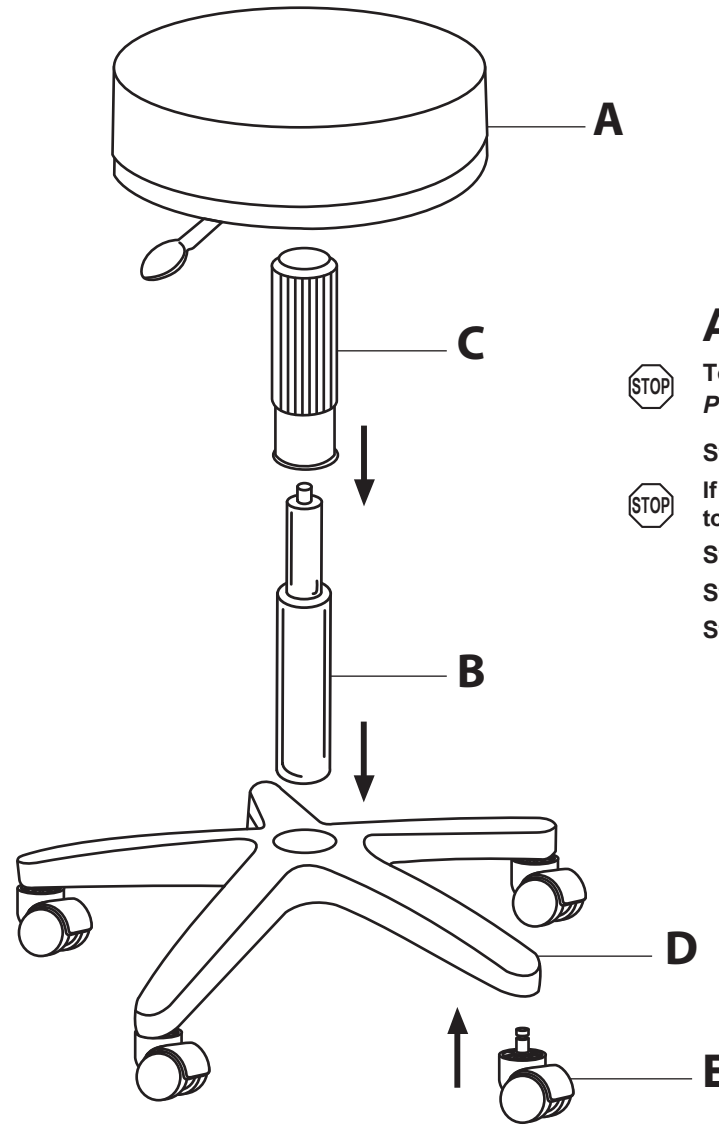
C
Gas Lift Bellows
1 Unit



D
Stool Base
1 Unit



E
Casters
5 Units



WEIGHT CAPACITY: 250 lbs.

Assembly Notes:

During assembly, hand tighten screw only when all screws are in place, you may then tighten all screws completely.

CAUTION:

1. Do not use this chair as a step ladder.
2. Check for loose screws and tighten them every 6 months.

Assembly Instructions:



Tools Needed: Philips Head Screwdriver
Please read all instructions before assembly.

Step 1: Insert Casters (C) into Base (H).



If you are assembling a model with a DK Foot Ring please proceed to subsequent pages for drafting kit assembly instructions.

Step 2: Insert Gas Lift (D) into Base (H).

Step 3: Cover Gas Lift (D) with Gas Lift Bellows (E).

Step 4: Carefully place Stool Seat (G) onto the Gas Lift (D), aligning the holes. Press down on Stool Seat to secure onto Base (H).

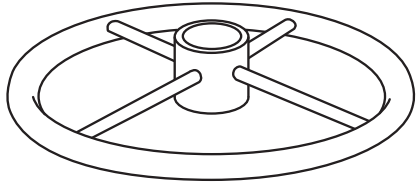
ofm
Furniture For The Real Office™

161 Tradition Trail Holly Springs, NC, 27540
800-520-7471 (voice) 919-362-4765 (fax)
919- 303-6389 (voice) www.ofminc.com
support@ofminc.com

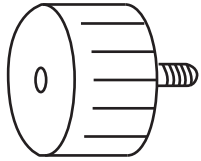
Model DK-2 Drafting Kit Assembly

Parts Listing

A
Circular Foot Rest
1 Unit



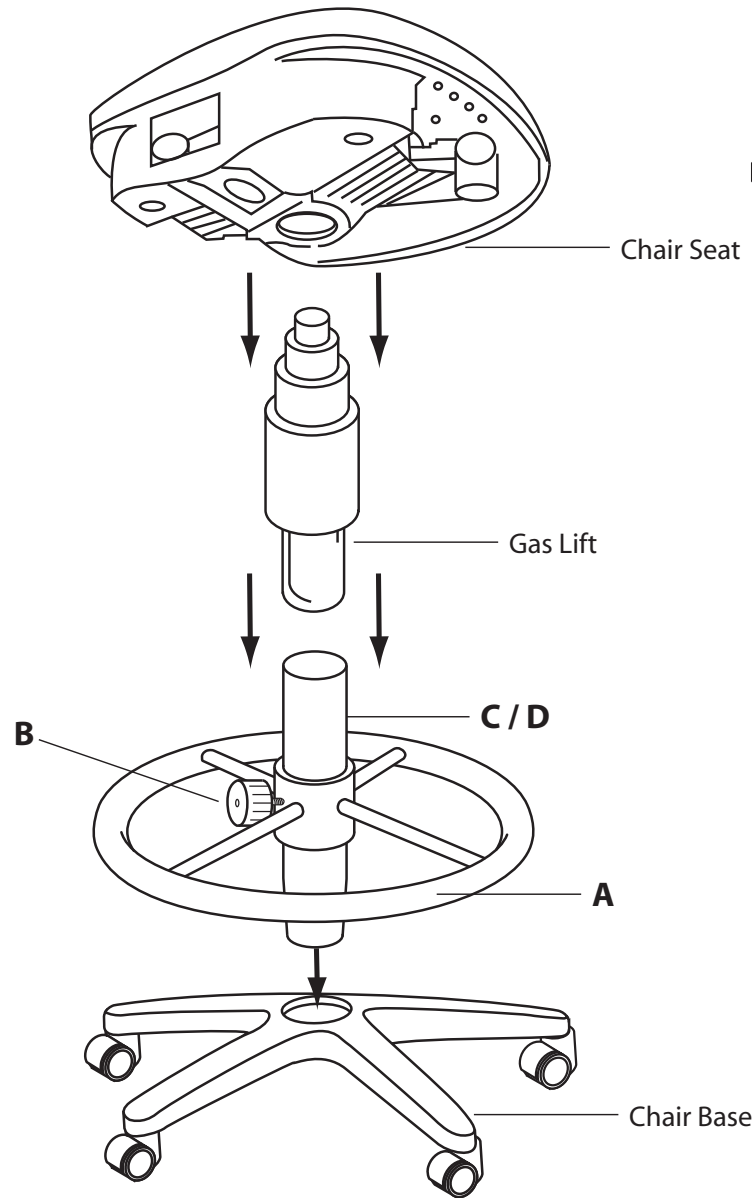
B
Tension Knob
1 Unit



C
9" Extension Tube
1 Unit



D
12" Extension Tube
1 Unit



Assembly Instructions



Please read all instructions before assembly. Prior to assembly, select only one Extension Tube for desired Height

**9" Extension Tube will change seat height from 26.25"-30.25"
12" Extension Tube will change seat height from 29.25-33.25"**

- Step 1:** Slide the Circular Foot Rest (A) over the smaller tapered end of your chosen Extension Tube (C / D).
 - Step 2:** Screw in Tension Knob (B) and tighten to lock Foot Rest (A).
 - Step 3:** Place the tapered end of Extension Tube (C / D) into your Chair Base.
 - Step 4:** Insert bottom of Gas Lift Cylinder into the top end of the Extension Tube (C / D).
 - Step 5:** Place the Chair Seat onto the Gas Lift by inserting top of Gas Lift into the hole in the Seat Mechanism.
 - Step 6:** Press down firmly to secure the chair.
- Note:** Save the left over extension tube for future use.