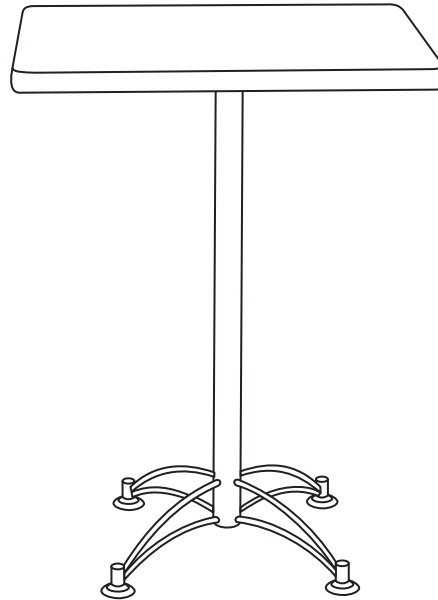
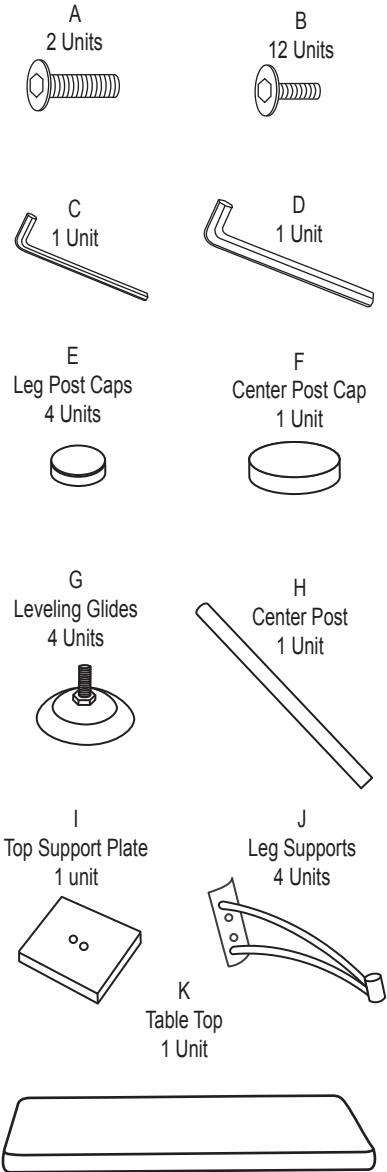


# Model CLT24RD / CLT24SQ / CLT30RD / CLT30SQ Café Height Table

## Parts Listing



## Assembly Instructions

Please read all instructions before assembly.

**Step 1a:** Attach Leg Supports (J) to Center Post (H) with Screws (B), using small Allen Wrench (C).

**Step 1b:** Attach Center Post Cap (F) to bottom of Center Post (H).

**Step 1c:** Attach Leg Post Cap (E) and Leveling Glides (G) to Leg Supports (J).

**Step 2:** Attach Table Top Support Plate (I) to Center Post (H) with long Screws (A), using long Allen Wrench (D).

**Step 3:** Attach Table Top Support Plate to bottom of Table Top (K) with short Screws (B), using short Allen Wrench (C).

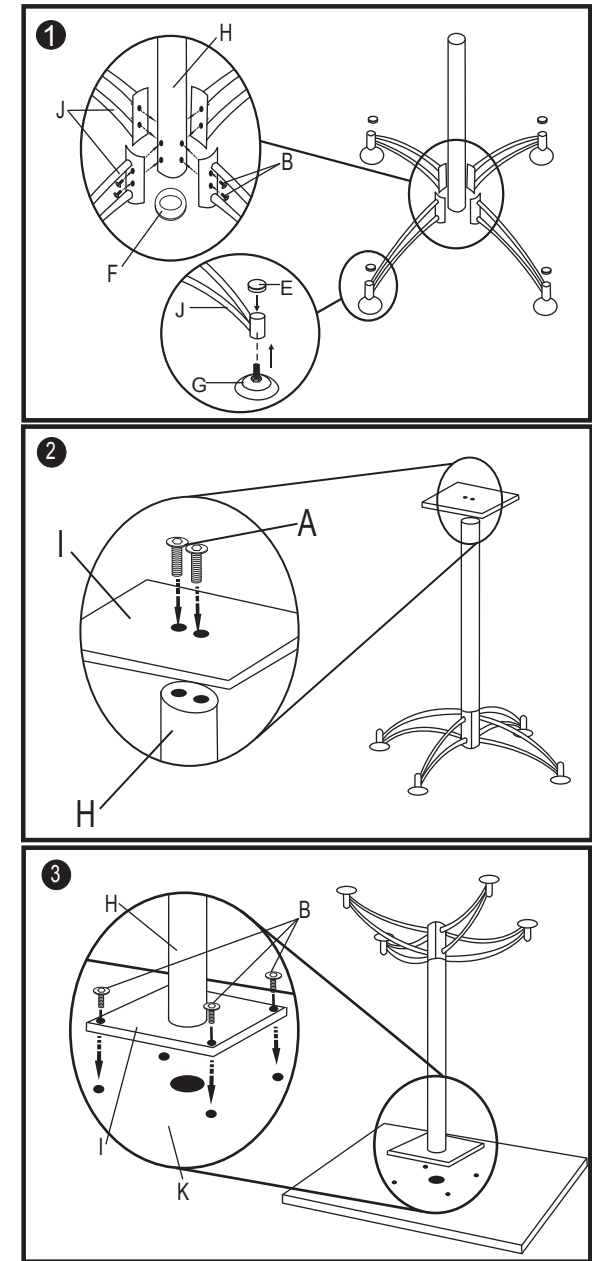
### Assembly Notes:

During assembly, hand tighten screw only when all screws are in place, you may then tighten all screws completely.

### CAUTION:

1. Do not use this table as a step ladder.
2. Check for loose screws and tighten them every 6 months.

03.24.2010



  
**Furniture For The Real Office™**

161 Tradition Trail Holly Springs, NC, 27540  
 800-520-7471 (voice) 919-362-4765 (fax)  
 919-303-6389 (voice) www.ofm-inc.com  
 support@ofm-inc.com