



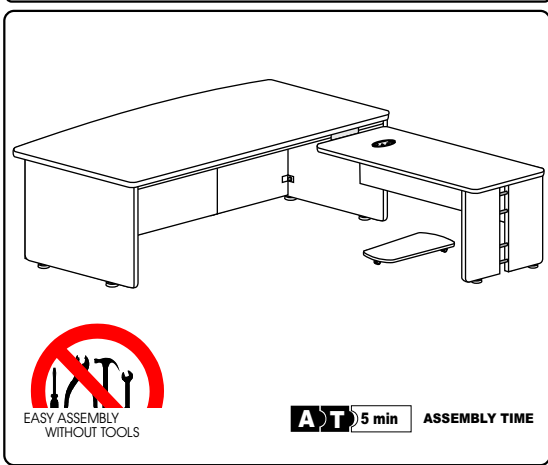
161 traditions trail
 Holly Springs, NC 27540
 Phone: 800-520-7471
 Fax: 919-362-4765
 Web Site: www.ofminc.com
 E-mail: ofm@ofminc.com

LINEA ITALIA[®]
 by - CRISA

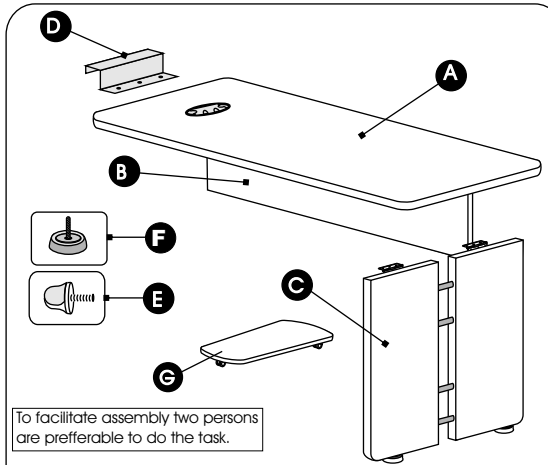
ASSEMBLY INSTRUCTIONS

INSTRUCTIVO DE ENSAMBLE

DESK RETURN 55165 RETORNO EJECUTIVO FORZZA



PATENTE EN TRAMITE PATENT PENDING



To facilitate assembly two persons are preferable to do the task.

LIST OF PIECES

- A** WORK STATION TOP.....(1 PC)
- B** SUPPORT BEAM.....(1 PC)
- C** SIDE.....(1 PC)
- D** SQUARE METALIC.....(1 PC)
- E** SAFETY KNOB 14.6MM.....(12 PCS)
- F** LEVELLING KNOB.....(2 PCS)
- G** CPU HOLDER.....(1 PCS)

LISTA DE PARTES

- A** CUBIERTA SUPERIOR.....(1 PZA)
- B** FRONTAL.....(1 PZA)
- C** LATERAL.....(1 PZA)
- D** ESCUADRA METALICA.....(1 PZA)
- E** REGATÓN DE SEGURIDAD 14.6MM.....(12 PZAS)
- F** REGATON NIVELADOR.....(2 PZAS)
- G** PORTA CPU.....(1 PZA)

