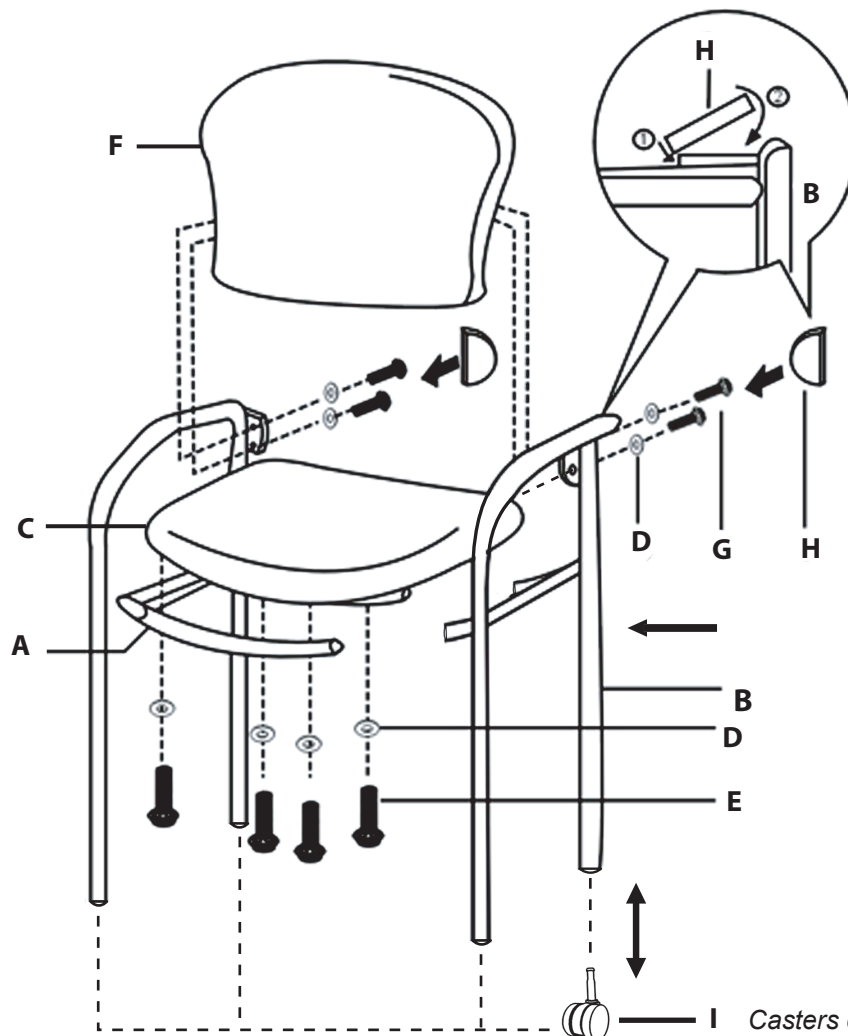
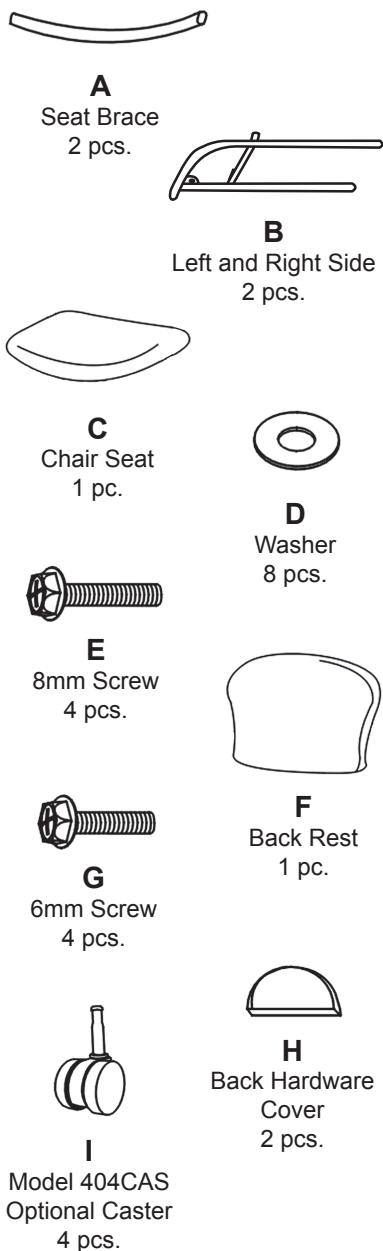


Models 404 / 404-VAM 408 / 408-VAM

Guest/Reception Chair with 404-CAS optional casters

Parts Listing



Assembly Instructions



Tools needed: Phillips Head Screwdriver
Please read all instructions before assembly.

Step 1: Attach Seat Braces (A) to Left and Right Sides (B), making sure that the pre-drilled holes in braces align with the holes in arms.

Step 2: Attach the Chair Seat (C) to the frame by placing four Washers (D) onto four 8mm Screws (E), and inserting them through the Seat Braces (A) and into the Chair Seat.

NOTE: Hand tighten screws only.

Step 3: Attach Back Rest (F) to the frame by placing four Washers (D) onto four 6mm Screws (G), and inserting them into the frame and into the Back Rest.

NOTE: Hand tighten screws only.

Step 4: Proceed to tighten all screws on Chair Seat and Back Rest with screwdriver.

Step 5: Place Back Hardware Cover (H), over the 6mm Back Rest Screws (G). Slide cover over frame and snap into place.

For installation of Model 404CAS ONLY!

404CAS Optional Caster Installation:

Step 6a: Lay chair down on level, non-abrasive surface and insert Model 404CAS Optional Casters (I), into the fittings in the legs, making sure casters are securely inserted into the legs.

Castors can be purchased separately.

WEIGHT CAPACITY: 250 lbs.

Assembly Notes:

During assembly, hand tighten screw only when all screws are in place, you may then tighten all screws completely.

CAUTION:

1. Do not use this chair as a step ladder.
2. Check for loose screws and tighten them every 6 months.

ofm^U_Z
Furniture For The Real Office™

161 Tradition Trail Holly Springs, NC, 27540
800-520-7471 (voice)
919- 303-6389 (voice) 919-362-4765 (fax)
support@ofminc.com www.ofminc.com