



2511 Reliance Ave.
Apex, NC 27539
Phone: 800-520-7471
Fax: 919-362-4765
Web Site: www.ofminc.com
E-mail: ofm@ofminc.com

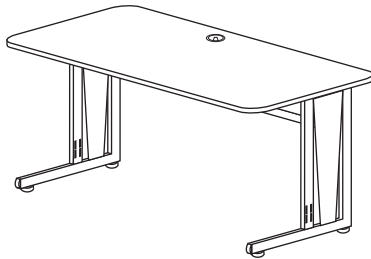
ASSEMBLY INSTRUCTIONS

INSTRUCTIVO DE ENSAMBLE

MOD. 55103

BASIC DESK

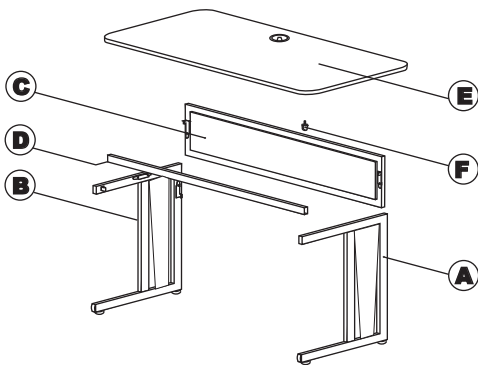
ESCRITORIO BASICO



AT 5 min
STANDS FOR ASSEMBLY TIME

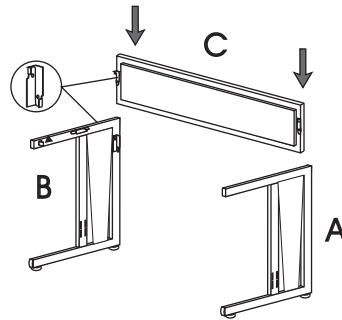
PATENT PENDING

PATENTE EN TRAMITE

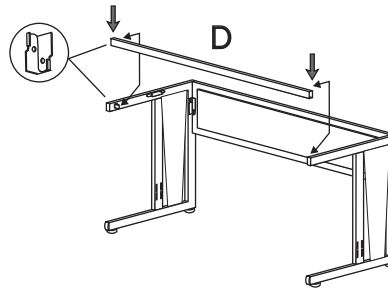


- Ⓐ SIDE FRAME (RIGHT)..... (1 PC)
- Ⓑ SIDE FRAME (LEFT)..... (1 PC)
- Ⓒ MODESTY PANEL..... (1 PC)
- Ⓓ SUPPORT BEAM..... (1 PC)
- Ⓔ TOP SHELF..... (1 PC)
- Ⓕ SAFETY KNOB..... (1 PC)
- Ⓐ MARCO LATERAL DERECHO... (1 PZA)
- Ⓑ MARCO LATERAL IZQUIERDO.. (1 PZA)
- Ⓒ MARCO CENTRAL..... (1 PZA)
- Ⓓ BARRA DE SOPORTE..... (1 PZA)
- Ⓔ CUBIERTA SUPERIOR..... (1 PZA)
- Ⓕ REGATON DE SEGURIDAD..... (1 PZA)

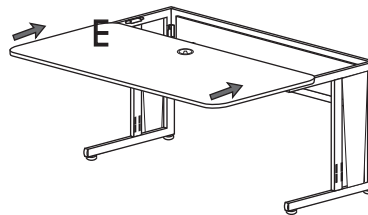
1



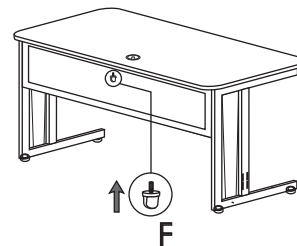
2



3



4





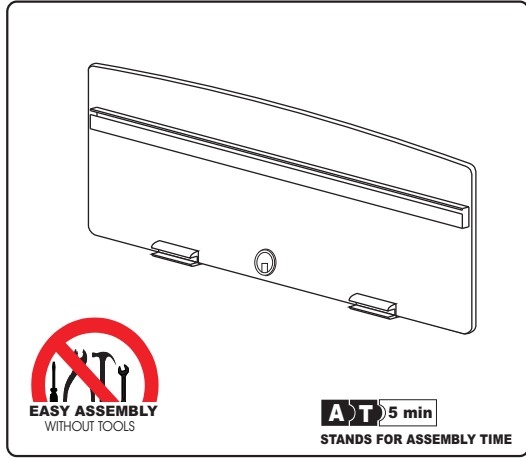
2511 Reliance Ave.
 Apex, NC 27539
 Phone: 800-520-7471
 Fax: 919-362-4765
 Web Site: www.ofminc.com
 E-mail: ofm@ofminc.com

ASSEMBLY INSTRUCTIONS

INSTRUCTIVO DE ENSAMBLE

MOD. 55150

PRIVACY BACK PANEL MAMPARA



A T 5 min
 STANDS FOR ASSEMBLY TIME

PATENT PENDING PATENTE EN TRAMITE

A PANEL..... (1 PC)
 B SUPPORT..... (2 PCS)
 C SAFETY KNOB (2 PCS)

A MAMPARA..... (1 PZA)
 B SOPORTE..... (2 PZAS)
 C REGATON DE SEGURIDAD (2 PZAS)

1

2

3



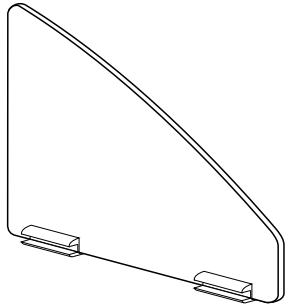
2511 Reliance Ave.
 Apex, NC 27539
 Phone: 800-520-7471
 Fax: 919-362-4765
 Web Site: www.ofminc.com
 E-mail: ofm@ofminc.com

ASSEMBLY INSTRUCTIONS

INSTRUCTIVO DE ENSAMBLE

MOD. 55151

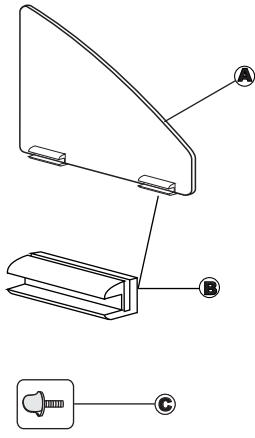
PRIVACY SIDE PANELS MAMPARA LATERAL



EASY ASSEMBLY
WITHOUT TOOLS

AT 5 min
STANDS FOR ASSEMBLY TIME

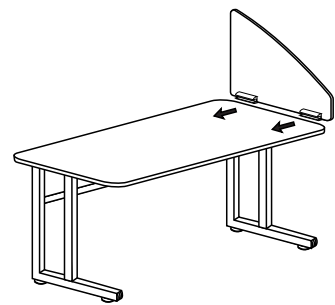
PATENT PENDING PATENTE EN TRAMITE



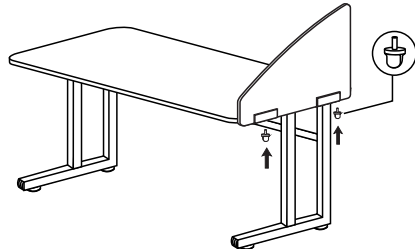
- Ⓐ PANEL..... (1 PC)
- Ⓑ SUPPORT..... (2 PCS)
- Ⓒ SAFETY KNOB (2 PCS)

- Ⓐ MAMPARA..... (1 PZA)
- Ⓑ SOPORTE..... (2 PZAS)
- Ⓒ REGATON DE SEGURIDAD (2 PZAS)

1



2



3

