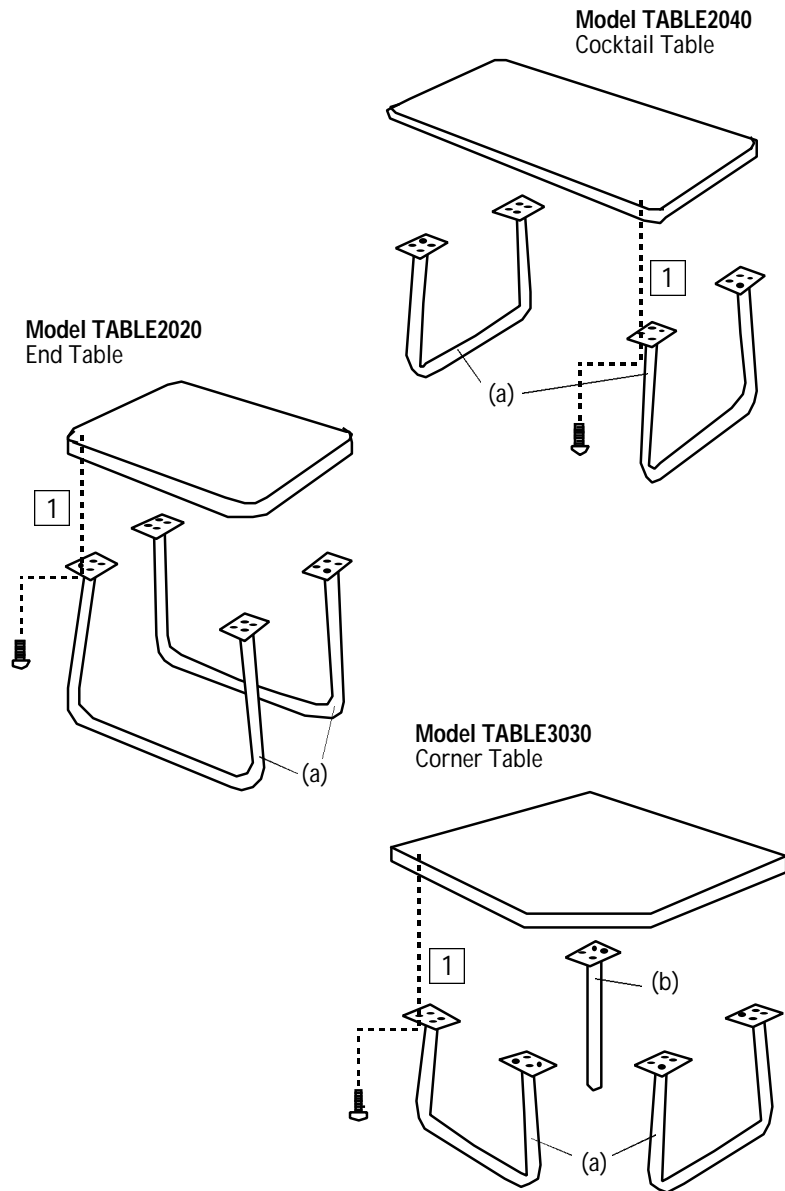


Model TABLE2020, TABLE2040, TABLE3030 Assembly Instructions



CONTENTS:

| Parts | Qty | Hardware | Qty |
|------------------------|-----|-------------------|--------------------|
| Model TABLE2020 | | | |
| Steel Tube Legs (a) | 2 | Screw (1/4" x 1") | 16 (for TABLE2020) |
| Laminate Top | 1 | Screw (1/4" x 1") | 16 (for TABLE2040) |
| | | Screw (1/4" x 1") | 20 (for TABLE3030) |
| Model TABLE2040 | | | |
| Steel Tube Legs (a) | 2 | | |
| Laminate Top | 1 | | |
| Model TABLE3030 | | | |
| Steel Tube Legs (a) | 2 | | |
| Steel Tube Leg (b) | 1 | | |
| Laminate Top | 1 | | |

INSTRUCTIONS:

Step A Attach the u-shape Steel Tube Legs (1) to bottom of the laminated tops with screws provided.(2 legs per table)

Please note Model TABLE3030 has an additional support Tube to attach.

CAUTION: 1. Do not use this as a step ladder .
2. Check for loose screws and tighten them every 6 months.