



## PUFF/CLOUD INSTALLATION INSTRUCTIONS

#517243  
#517250  
#517268

PLEASE READ THESE INSTRUCTIONS CAREFULLY AND SAVE THEM, AS YOU MAY NEED THEM AT A LATER DATE.

**WARNING:** Failure to install and wire fixture or install replacement ballast in accordance with the National Electrical Codes (NEC), all applicable Federal, State and Local electrical codes as well as specific U.L. safety standards for the intended working environment (Location, application), may cause serious personal injury, death and/or property damage. This product must be installed by a person familiar with the construction and operation of the product and the hazards involved.

**CAUTION:** TURN OFF POWER FROM THE MAIN CIRCUIT BEFORE INSTALLING FIXTURE OR CHANGING SERVICEABLE PARTS. Make sure fixture is grounded per National Electrical Codes(NEC). This fixture is suitable for dry location only.

**IMPORTANT NOTE:** The safeguards and Instructions appearing in this page, are not meant to cover all possible conditions and situations that may occur. It may be understood that common sense, cautions and care are factors which cannot be built into any product. The person(s) installing, operating and responsible for the light fixture, must execute these factors.

**Warning:** For 120V 60Hz use only. Risk of fire and electrical shock, most dwellings built before 1985 have supply wires rated 60 degrees C. Consult a qualified electrician before installing. If supply wires are located within 3 inches of the ballast, use wires rated at least 90 degrees C(194 degrees F).

### Ballast Replacement Instructions:

- 1) Please read and follow all Warnings in this Instruction sheet.
- 2) Turn Power Off from the Main Circuit.
- 3) Place new Ballast next to the existing Ballast to ensure that the mounting locations are in the same place.
- 4) Remove the lens and wireway cover in accordance with Installation instructions.
- 5) Remove the mounting hardware. Remove wire nuts that connect Ballast to lampholders, by turning the wire nuts counter clockwise.
- 6) Mount the new ballast utilizing the existing mounting hardware.
- 7) Follow the wiring diagram and installation instructions on the new Ballast and connect to lampholders using existing wire and wirenuts. Place the wires in wirenut and turning them clock-wise until they are tight and secure. Confirm all wires are connected according to wiring diagram
- 8) Turn power on to operate the unit.

Customer Service:  
1-800-558-8700



# PUFF/CLOUD

## INSTALLATION INSTRUCTIONS

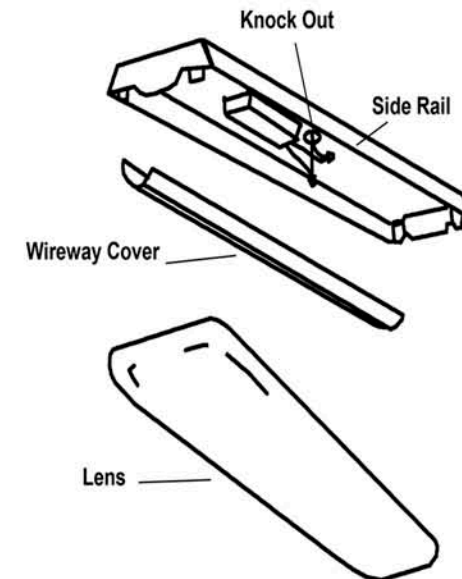
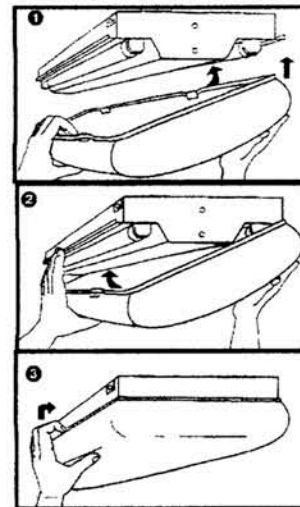
### ASSEMBLY AND INSTALLATION:

TURN OFF POWER FROM THE MAIN CIRCUIT BEFORE INSTALLING FIXTURE.

1. Tools and materials needed: Hammer, flathead screwdriver, phillips screwdriver, pliers, wire nuts, electrical tape, and wood screws or toggle bolts.
2. To help prevent the possibility of electrical shock, the use of rubber sole shoes is recommended.
3. Exercise care when handling the fixture use gloves to avoid cuts or abrasions.
4. If a ladder is needed, make sure to use a sturdy wooden one.
5. Carefully remove fixture and all parts from box and place them on an even, smooth surface.
6. Remove lens carefully. (Handle lens carefully as it is Acrylic material and can crack easily).
7. Remove the wireway cover, by squeezing it in to dislodge it from the housing tabs (see figure Below).
8. Remove the knock out hole that you have determined to be used for wiring. Place a screw driver on the knock out and strike it with a hammer, careful not to damage the fixture housing. Use a plier to grasp the edge of the pushed up knock out, rocking it back and forth until removed.
9. Install fixture: Locate ceiling joints and screw in fixtures using wood screws of appropriate length (screws not Included). Use toggle bolts for drywall mounting.
10. Electrical Connections: Pull wire into fixture through knockout hole. Connect green/or bare copper wire to the green ground screw/wire of Fixture. (Ground must be securely attached or unit may not work properly). Connect the white supply wire to the white fixture wire, cover them with a wire nut/or twist together and cover really well with Electrical tape. Connect the black supply wire to the black fixture wire, cover them with a wire nut/or twist together and cover really well with Electrical tape. Make sure that on both connections, no wires are exposed at all.

11. Place wireway cover back on housing tabs. Make sure all the wires are within the wireway and not pinched under the cover
12. Install lamp by rotating into lampholders. All 48" T8 or T12 lamps can be operated by this fixture. Fixture is Energy Star qualified when a F32T8 lamp is used. Make sure both lamp pins are in place within lampholder.
13. Install lens by placing opening on one side rail of the fixture, then shift it over as far in as possible. Carefully push the opposite side of the lens up and shift the and place in over the second side rail of the fixture make sure the lens is centered and is seated properly over both side rails of the fixture. (Handle lens carefully as it is Acrylic material and can crack easily).
14. Turn power on.

### Lens Placement



#517243  
#517250  
#517268

Customer Service :  
1-800-558-8700