

C-Series Passage Lever 2W

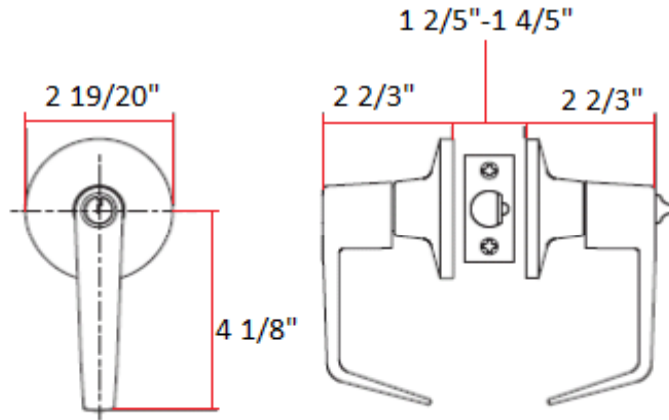


Specifications

Latch Type	2-Way Latch
Door Prep	Cross bore 2-1/8" dia (54mm). Edge bore 1" dia (25mm)
Backset	Adjustable to 2-3/8" or 2-3/4"
Door Thickness	1-3/8" - 1-3/4" door standard
Cylinder	
Faceplate	1" x 2-1/4" Square Corner
Strike	T-Strike
Bolt	Full 1/2" throw Stainless Steel
Door Handing	Non-handed. Reversible for Left or Right hand doors.
Keyway	
Keyed Alike	



Dimensions



Warranty & Compliances

Warranty	Limited Lifetime Mechanical / 5 year Finish
ANSI/BHMA	ANSI Grade 2 certified
ADA	ADA Compliant (4.13.9)
UL	UL Listed for use on fire doors (up to 3 hours)



Order Codes

	Box Pack
Satin Chrome	701870
Brushed Bronze	701953



Type:

Job:

Order Code:

Approvals:

Design House reserves the right to make changes in materials, specifications & models at any time. Design House also reserves the right to discontinue product without notice or obligation.