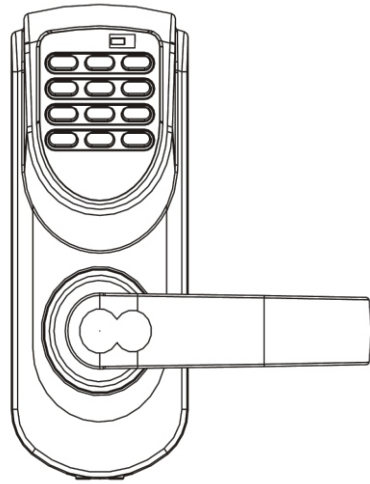
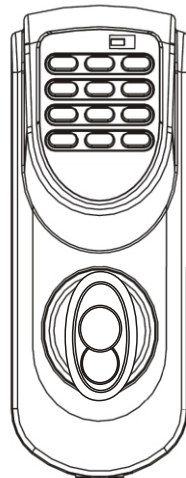




## **Keypad Lock Installation Instructions**



**Keypad Lever Entry**












**Keypad Deadbolt Entry**



**STOP! Please read instructions before removing Design House Keypad lock from packaging.**

**Tools Needed for Installation**

Phillips Screwdriver	Drill	Angle Ruler	Flathead Screwdriver	Lead Pencil
				
Wrench (Provided with lock)	Chisel	Hammer	Stiletto (For door hole 2-1/8)	
				

**Removing Keypad Lock from packaging**

1. Unscrew and remove Cover Loop and Plastic Gasket from Interior Panel with provided tool Wrench.
2. Remove Interior Cover Plate screws (4) to expose Battery Box.
3. Unscrew and remove two mounting screws.
4. Interior and Exterior can be removed from the styrofoam packaging.
5. Proceed with installation of Keypad Lock.

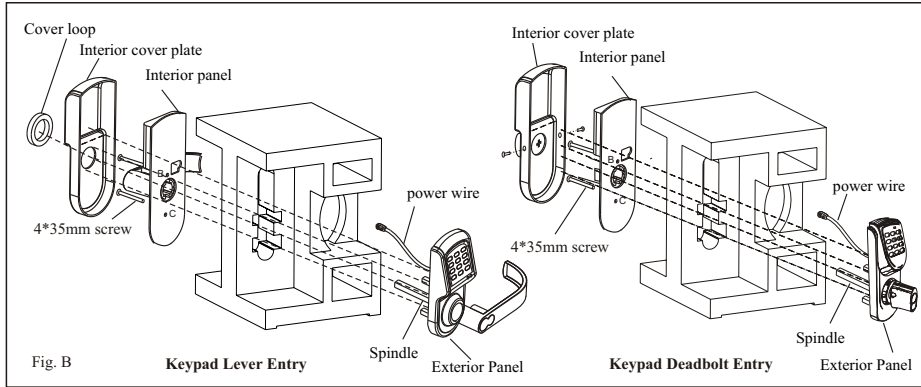


Fig. B

**Packing List**

Exterior Panel	Interior Panel	Interior Cover Plate	
Plastic Insert	Strike Plate	Single Latch	3.5x3/4 (3.5x20MM) screws
4x2 (4x50MM) screws	4x1.38 (4x35MM) screws	Keyhole/Cylinder Cover	Cylinder Cover Remover
Manual Override Keys	Door Preparation Drilling Template	Wrench (For Lever Entry Lock)	

**Installation Instructions**

1. Use template [provided] to prepare door.

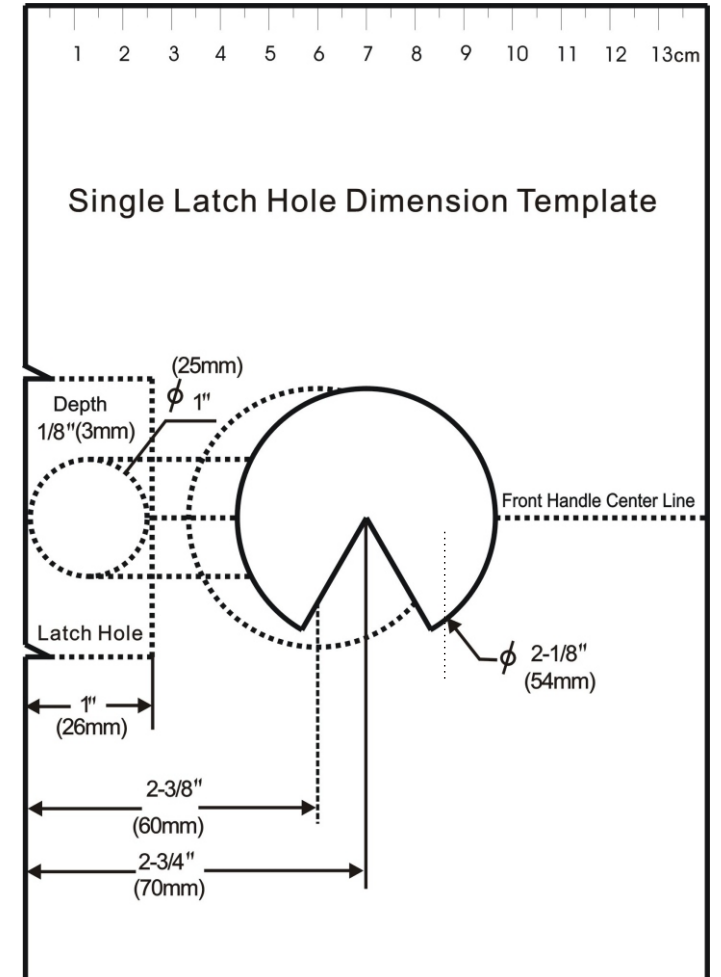
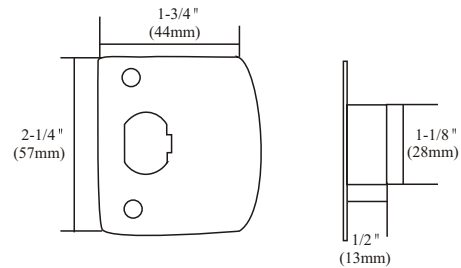


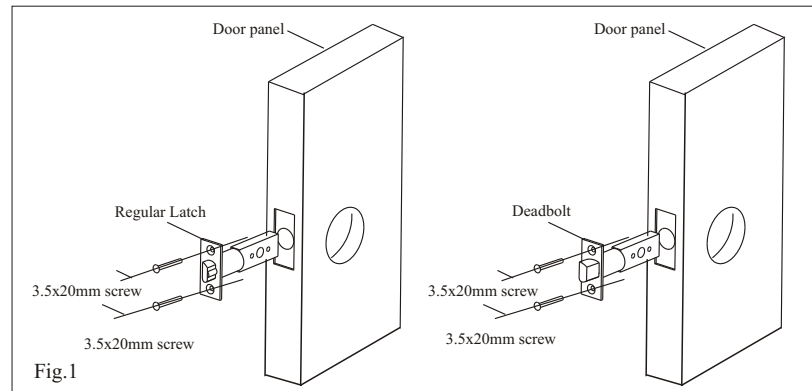
Fig.

2. Drill and prepare the doorframe for the Plastic Insert and Strike Plate making sure the holes are level and a direct match for the door lock drilling (See Fig. A).



**Fig.A.**

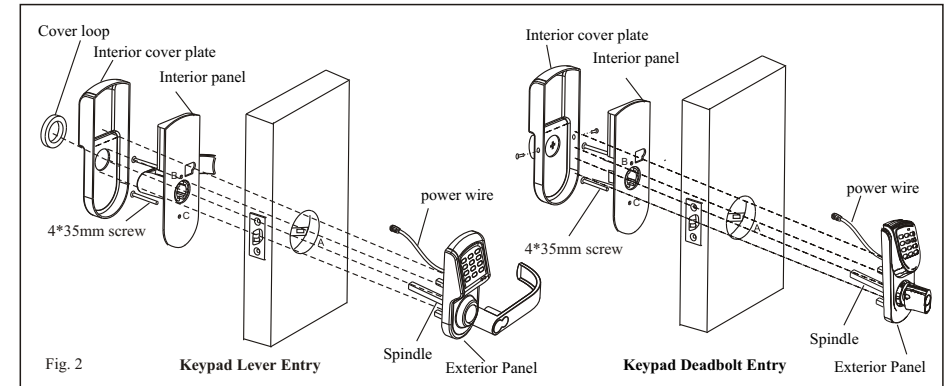
3. Insert latch to prepared door and attached with two (3.5x3/4" / 3.5x20MM) screws. See Fig. 1.



4. Install 4 (AA) alkaline batteries in the Battery Box on the Interior Panel.
5. Feed the power wire from the Exterior Panel (with keypad) through the door hole (A) and latch (see Fig. 2). Connect the power wire to the battery box.
6. Attach the Exterior Panel making sure the lock Spindle is squarely inserted into mounting plate on Interior Panel through door hole (A). Be sure to secure the metal panels to the inner edges of the rubber gaskets for a sealed installation on both the interior and exterior sides.
7. Attach the Exterior Panel and the Interior Panel with two (4x1-3/8 / 4x35MM) or (4x1.97" / 4x50MM) screws depending on different door thicknesses.
8. Attach the Interior Cover Plate over the Battery Box and Interior Panel.

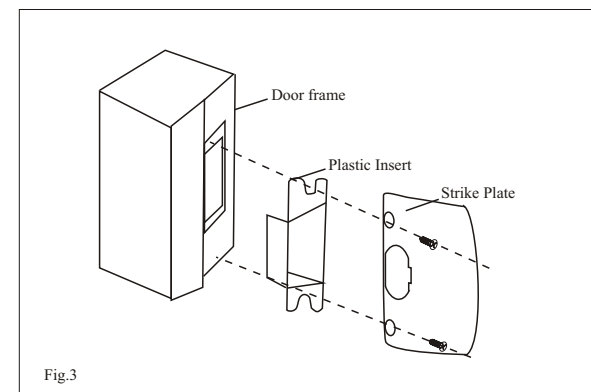
9. Feed Cover Loop and plastic gasket ring over the interior handle. Screw Cover Ring tightly to secure the interior assembly. (Lever Entry Only)

Attach the Interior Cover onto the Interior Panel and fix them with two (3x10mm) screws on both sides of Interior Cover. See Fig. 2. (Deadbolt Entry Only)



**Fig. 2**

10. Place Plastic Insert into prepared hole on door frame. Attach Strike Plate with two self-tapping screws.
11. Verify that the Door Latch engages with the Strike Plate on the doorframe.



**Fig.3**

## Operating and Programming Instructions

There are two ways to open Design House Keypad Locks.

- Enter a valid 6-digit password; the green indicator light will go ON; use the lever or knob to open the latch within 5 seconds.
- Manual override keys (for emergency use).



### IMPORTANT

1. The factory set Master Code is "111111". Please change the Master Password to a new 6-digit Master Code on the initial use.
2. The Design House Keypad Entry Lock holds 300 User Passwords.
3. The Design House Keypad Entry Lock makes several sounds:
  - Three short beeps indicate an incorrectly keyed code. Door will not unlock.
  - One long beep indicates a correctly keyed code. Open the latch within 5 seconds to open the door.

### Code Definitions

*Master Code* = 6 digits. Required for making changes and additions to all codes. Factory set Master must be changed the 1st time the lock is used for increased security.

Property owner/manager should keep this information confidential.

*User Number* = 3 digits. Identifies the user. Property owner/manager should keep a log of User Numbers.

*User Password* = 6 digits. User enters this code on the keypad to gain entry into building.



### Programming/Changing Codes

#### *Changing the Master Code (initial use)*

Press: ## + Factory Set Master Password + \*\*\* + New Master Password + New Master Password

#### *Adding a User Password*

Press: ## + Master Password + \*\*\* + 3-digit User Number + 6-digit User Password + 6-digit User Password (Example: To add User Number 005 with User Password 123456, press: ## + Master Password + \*\*\* + 005 + 123456 + 123456)

#### *Deleting a User Password*

Press: ## + Master Password + \*\*\* + 3-digit User Number + 3-digit User Number

#### *Changing a User Password*

Press: ## + User Password to be changed + \*\*\* + New User Password + New User Password

#### *Enabling Passage Function (Press any key to open the door)*

Press: ## + Master Password + ### + ###

#### *Disabling Passage Function*

*(keeps door in LOCKED state; opened with valid User Passwords)*

Press: ## + Master Password + ### + ###

#### *USERS-To Open the Lock*

Press: User Password. After green light goes ON, press lever or rotate knob to open door within 5 seconds.

#### *In case of loss of user records or other need to RESET all passwords*

Dismantle the Keypad Lock assembly. Press the RESET button on the inside of the Exterior Panel.

Lock will return to factory set Master Code. Change to new Master Code. Program all new User Numbers and User Passwords as listed above.