

Richland One Door Two Drawer Vanity

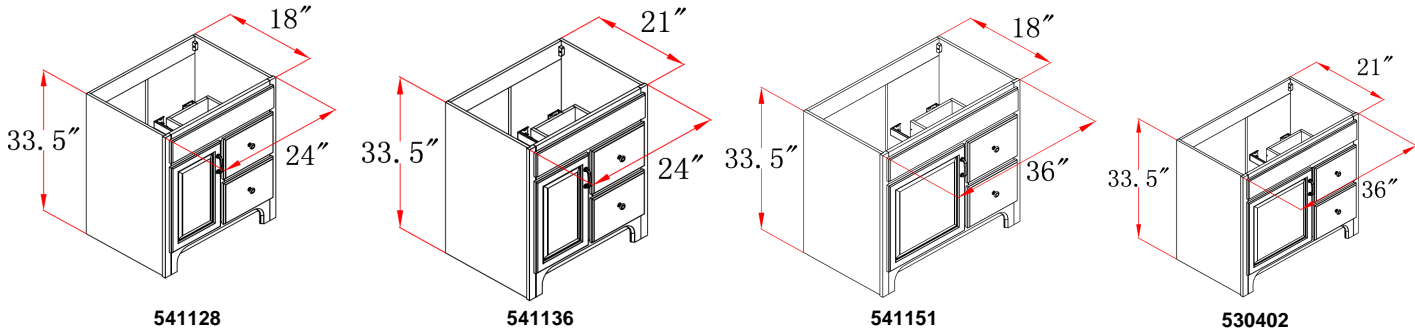


Specifications

- Cam-lock connectors for fast & easy assembly
- Raised panel doors featuring square design
- Solid wood door frames and drawer fronts
- Full extension ball bearing drawer glides
- Antique brass hardware with TruMatch™ finish
- Durable water-resistant finish
- Reversible doors can open to the left or the right
- Vanity top sold separately
- Nutmeg oak finish



Dimensions



Warranty & Compliances

Warranty Limited 1 year warranty
 California 93120 Compliant



Order Codes & Finishes/Colors

24" w x 18" d x 33.5" h	541128
24" w x 21" d x 33.5" h	541136
36" w x 18" d x 33.5" h	541151
36" w x 21" d x 33.5" h	530402

Type:
 Job:
 Order Code:
 Approvals:

Design House reserves the right to make changes in materials, specifications & models at any time. Design House also reserves the right to discontinue product without notice or obligation.