

# SUSSEX Handleset Entry (Cambridge)

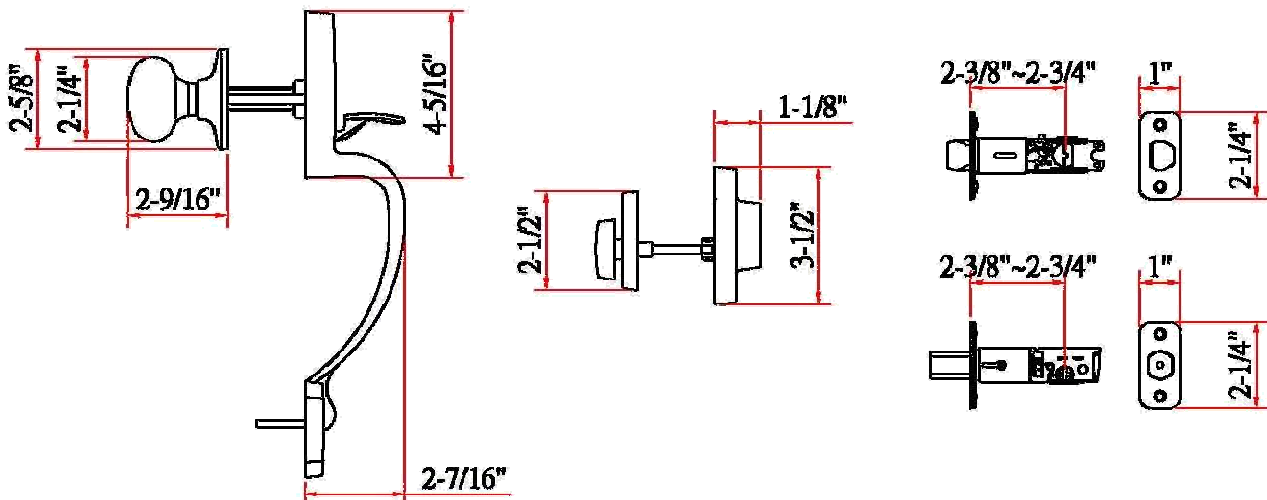


## Specifications

<b>Latch Type</b>	2-Way Latch
<b>Door Prep</b>	Cross bore 2-1/8" dia (54mm). Edge bore 1" dia (25mm)
<b>Backset</b>	Adjustable to 2-3/8" or 2-3/4"
<b>Door Thickness</b>	1-3/8" - 1-3/4" door standard
<b>Cylinder</b>	5-pin High Security - removable core
<b>Faceplate</b>	1" x 2-1/4" radius corner. (square corner & 6W or drive-in also available)
<b>Strike</b>	Standard radius corner . Other options available.
<b>Latch Bolt</b>	(Full 1/2" throw Handleset), (Full 1" throw Deadbolt). Nickel plated.
<b>Door Handing</b>	Non-handed. Reversible for Left or Right hand doors.
<b>Keyway</b>	KW1
<b>Keyed Alike</b>	KD - keyed different



## Dimensions



## Warranty & Compliances

<b>Warranty</b>	Limited Lifetime Mechanical / 5 year Finish
<b>ANSI/BHMA</b>	Meets ANSI Grade 3 specification
<b>ADA</b>	N/A
<b>UL</b>	N/A



## Order Codes

View Pack	2W	
Satin Nickel (US15)	753590	
Polished Brass (US3)	753582	
Oil Rubbed Bronze (US10B)	753624	
PVD Brass	753574	

**Type:**

**Job:**

**Order Code:**

**Approvals:**

Design House reserves the right to make changes in materials, specifications & models at any time. Design House also reserves the right to discontinue product without notice or obligation.