

C-Series Deadbolt

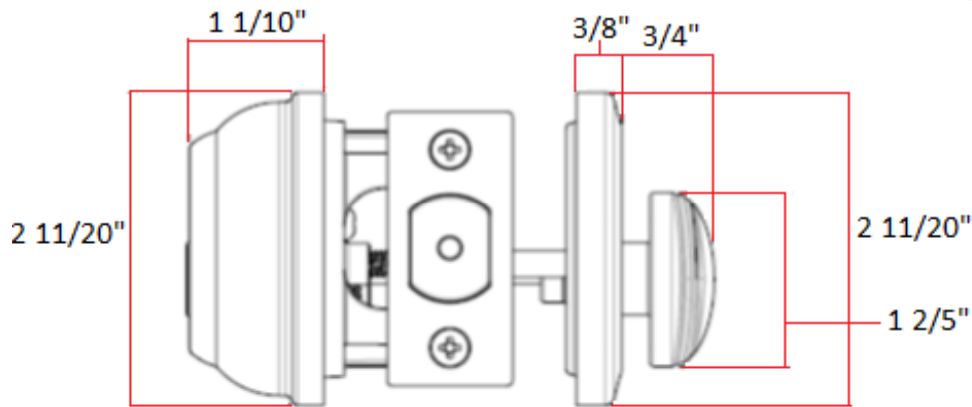


Specifications

Latch Type	2-Way Latch
Door Prep	Cross bore 2-1/8" dia (54mm). Edge bore 1" dia (25mm)
Backset	Adjustable to 2-3/8" or 2-3/4"
Door Thickness	1-3/8" or 1-3/4" door standard
Cylinder	5 pin High Security - removable core
Faceplate	1" x 2-1/4" Square Corner
Strike	T-Strike
Bolt	Full 1/2" throw. Brass plated
Door Handing	
Keyway	KW1
Keyed Alike	



Dimensions



Warranty & Compliances

Warranty	Limited Lifetime Mechanical / 5 year Finish
ANSI/BHMA	ANSI Grade 2 Certified
ADA	ADA Compliant (4.13.9)
UL	UL Listed for use on fire doors (up to 3 hours)



Order Codes

	Box Pack
Satin Chrome	702274
Brushed Bronze	702282



Type:

Job:

Order Code:

Approvals: