

# Richland Two Door Four Drawer Vanity

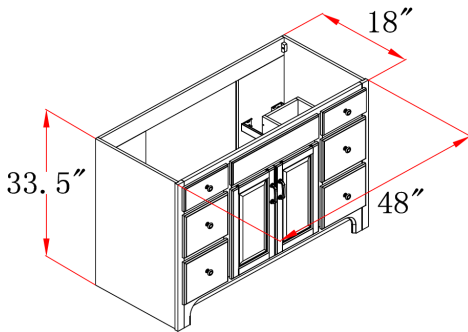


## Specifications

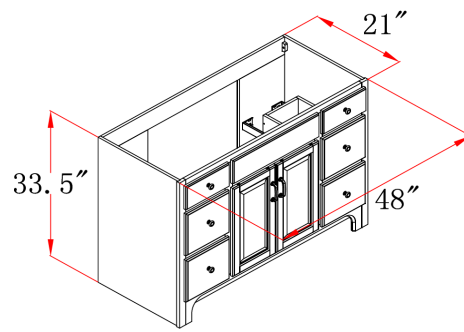
- Cam-lock connectors for fast & easy assembly
- Raised panel doors featuring square design
- Solid wood door frames and drawer fronts
- Full extension ball bearing drawer glides
- Antique brass hardware with TruMatch™ finish
- Durable water-resistant finish
- Vanity top sold separately
- Nutmeg Oak finish



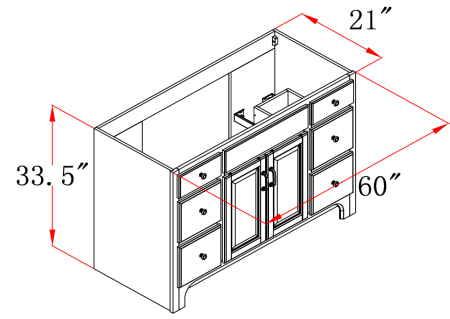
## Dimensions



541177



530410



530436

## Warranty & Compliances

Warranty Limited 1 year warranty  
California 93120 Compliant



## Order Codes & Finishes/Colors

48" w x 18" d x 33.5" h	541177
48" w x 21" d x 33.5" h	530410
60" w x 21" d x 33.5" h	530436

Type:  
Job:  
Order Code:  
Approvals:

Design House reserves the right to make changes in materials, specifications & models at any time. Design House also reserves the right to discontinue product without notice or obligation.