

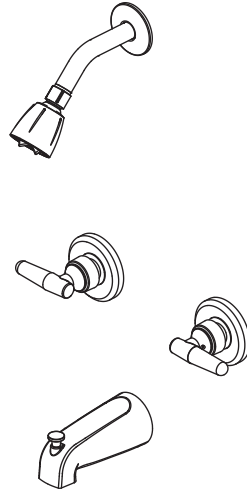


Design House is a registered brand of DHI Corp.

Mequon, WI 53092
1-800-558-8700

TWO HANDLE TUB & SHOWER FAUCET

Models 525543



Your new Design House faucet will give you years of trouble free performance. Thank you for choosing a Design House product for your home.

Please read all of these instructions carefully before installing your new faucet.

Helpful tools to install this faucet:

- basin wrench
- Teflon tape
- (2) crescent wrenches
- silicon sealer
- flashlight
- faucet supply tubes

IMPORTANT POINTS

- When installing your new faucet, hand tighten the connector nuts, then use one wrench to anchor the fitting and a second wrench to tighten the nut one additional turn. Connections that are too tight will reduce the integrity of the system.
- Wrap all threaded connections (except aerator thread in spout) with Teflon tape available from your local hardware or plumbing supply store. Always wrap in a counter-clockwise direction.

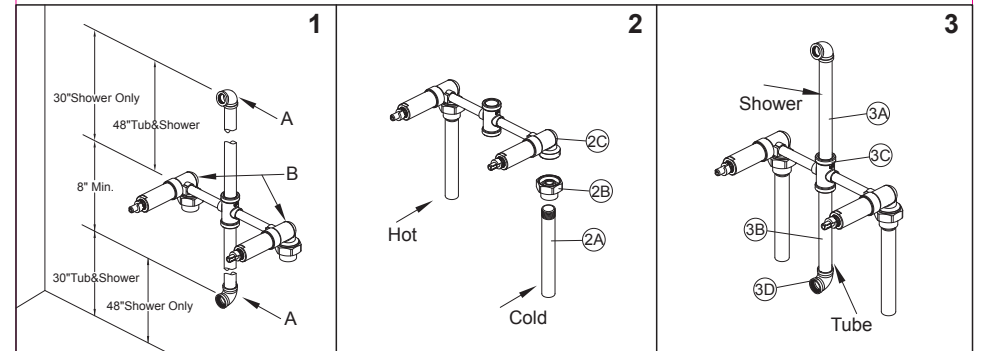
SAFETY TIPS

- **ALWAYS** protect your eyes with safety glasses.

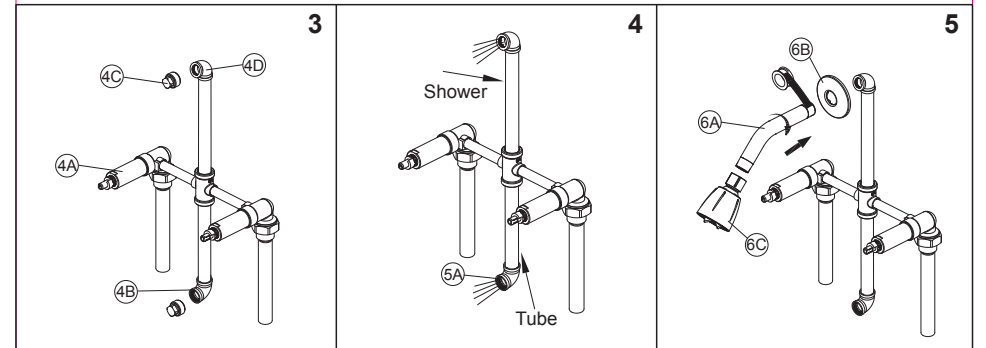
INSTALLATION PROCEDURE

1. Shut off water supply.
Verify that the hole sizes and positions in the wall are corrected.
2. SUPPLY CONNECTION LAYOUT
When attaching threaded fittings, use thread sealant or Plumber's tape according to manufacturer's instructions.
Thread 1/2" IPS waterline (2A) into Tailpieces (2B). Assemble tailpieces into valve Body (2C). Wrench tighten.
3. TUB & SHOWER OUTLET CONNECTIONS
Connect Shower (3A) and Tub Outlet Pipes (3B) to valve body (3C).
Connect Pipe Elbows (3D) (not included) to the ends of both pipes.
Securely fastened to framing or other solid support.

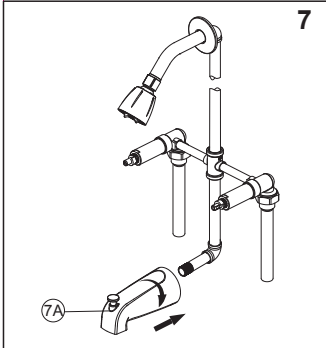
The center to center distance between the cold water inlet and hot is 8".



4. PRESSURE TESTING THE VALVES
Use a 1/2" IPS plug (4C) (not included) on both the shower outlet (4D) and tub outlet (4B). Rotate hot and cold valve stems (4A) to full on position and check all connections for leaks.
Rotate hot and cold valve stems (4A) to off position and look for leaks from the outlets.
5. FLUSHING
For Tub and Shower Combinations:
Turn on Hot and Cold water supply lines allowing water to flow from tub spout outlet (5A) until all foreign matter has cleared the line.
6. SHOWER HEAD INSTALLATION
Insert the long end of the shower arm (6A) through the flange (6B) then wrap plumber's tape to both sides of shower arm. Screw long end of shower arm into pipe elbow inside the wall. The flange should fit snug to the finished wall surface. Thread shower head (6C) onto shower arm.



INSTALLATION PROCEDURE



7

7. FOR TUB SPOUT INSTALLATION

Install tub spout.

Thread spout onto threaded connection clockwise until the spout becomes flush with the finished wall.

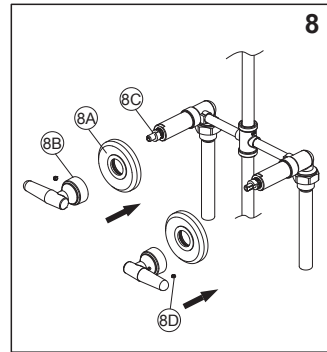
Thread sealant may be required depending on your installation method. All thread sealants may be found at your local hardware store.

8. HANDLE INSTALLATION

Before proceeding close valves.

Position Flange (8A) on valve.

Attach the Handle (8B) onto Stem (8C) and secure with Set Screw (8D).



8

MAINTENANCE

Your new Design House faucet is designed to give you years of trouble free performance. Keep it looking new by cleaning it periodically with a soft cloth. Avoid abrasive cleaners, steel wool and harsh chemicals that will dull the finish and void your warranty.

Brass finishes are polished, then protected with a lacquer coating to help prevent tarnishing. Clean these surfaces only with a damp, soft cloth.

CONSUMER PROTECTION WARNING

Under the Safe Drinking Water Act, the U.S. Environmental Protection Agency restricts the amount of lead used in brass and solder. Your new faucet is made in strict compliance with all government standards. The materials used in the manufacture of this faucet are of industry standard quality and are similar to other plumbing products having brass fittings.

To reduce the amount of lead in your drinking water, allow the water to run for a moment before filling your glass and remember to always use cold water for drinking purposes.

TROUBLE SHOOTING

Problem: Faucet leaks from under handle.

Cause: Bonnet is loose or o-ring on cartridge is dirty or twisted.

Action:

1. Move handle to OFF position. Unscrew the set screw and remove handle. Then remove the flange.
2. Tighten the bonnet by turning it clockwise. Move the cartridge stem to the ON position. The leak should stop around the cartridge stem.
3. If the leak does not stop, shut off the water supply. Remove the bonnet by turning it counter clockwise. Lift out the cartridge valve. Inspect the o-rings. Clear debris, untwist, or replace if necessary.

4. Replace the cartridge making sure the wings fit well into the cuts in the faucet body.

Tightly screw the bonnet onto the faucet body.

5. Reinstall the handle.

Many of these parts come preassembled. This exploded diagram is to assist in trouble shooting.

