

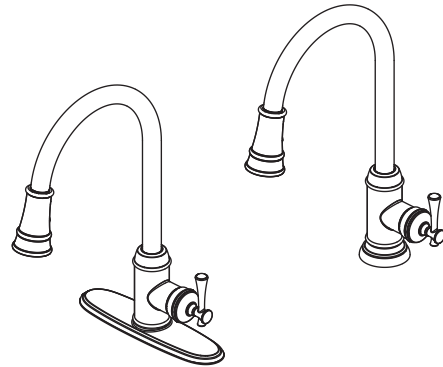


Design House is a registered brand of DHI Corp.

Mequon, WI 53092
1-800-558-8700

SINGLE HANDLE KITCHEN FAUCET

Models 524702, 524728



Your new Design House faucet will give you years of trouble free performance. Thank you for choosing a Design House product for your home.

Please read all of these instructions carefully before installing your new faucet.

Helpful tools to install this faucet:

- basin wrench
- Teflon tape
- (2) crescent wrenches
- silicon sealer
- flashlight
- faucet supply tubes

IMPORTANT POINTS

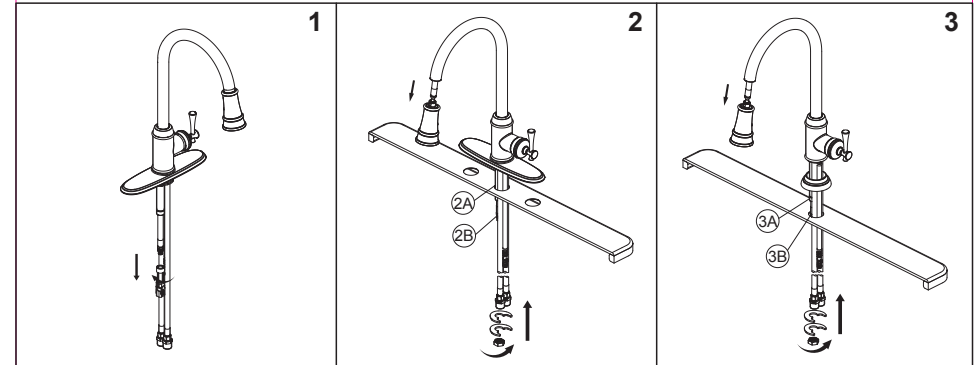
- When installing your new faucet, hand tighten the connector nuts, then use one wrench to anchor the fitting and a second wrench to tighten the nut one additional turn. Connections that are too tight will reduce the integrity of the system.
- Wrap all threaded connections (except aerator thread in spout) with Teflon tape available from your local hardware or plumbing supply store. Always wrap in a counter-clockwise direction.

SAFETY TIPS

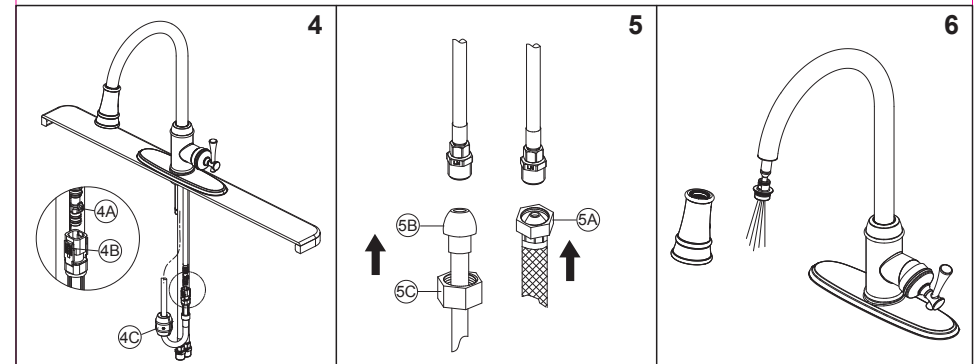
- **ALWAYS** protect your eyes with safety glasses.

INSTALLATION PROCEDURE

1. Shut off water supplies.
Before installation, remove quick connector from the free end of pullout hose.
If installing the faucet with the escutcheon, begin with step 2.
If installing the faucet with flange, begin with step 3.
2. Retract pull-out hose (2A) up through faucet body, until the pull-out hose fitting is flush with the bottom of shank (2B).
Do not pull hose fitting past the shank.
Insert faucet body through the hole in escutcheon.
Note: Do not feed the pull-out hose (2A) back down through the spout until step 4.
3. Retract pull-out hose (3A) up through faucet body, until the pull-out hose fitting is flush with the bottom of shank (3B).
Do not pull hose fitting past the shank.
Insert faucet body through the hole in escutcheon.
Note: Do not feed the pull-out hose (3A) back down through the spout until step 4.



4. Screw quick connector to the free end of pull-out hose. Align block (4A) and tabs (4B) on quick connector. Push quick connector housing firmly upward and snap onto receiving block. Pull down moderately to ensure connection has been made. After connecting the hose, attach weights (4C) to hose at bottom of loop to prevent hose from twisting and return hose to proper position.
5. Make connections to water lines.
Use 1/2" I.P.S. faucet connections (5A) or use supplied coupling nuts (5C) with 3/8" O.D. ball-nose riser (5B).
Use wrenches to tighten connections.
Do not overtighten.
6. **Important:** After installation is completed.
Turn on water supply without the sprayer to run for at least one minute each.
Check for leaks.
Re-tighten any connections if necessary, but do not overtighten.
Reinstall sprayer head by hand tightening it back onto the spray hose.



TROUBLE SHOOTING

Problem: Leaks from under handle and water does not completely shut off.

Cause: Bonnet is loose or the cartridge is dirty or worn.

Action:

1. Remove index and unscrew the screw on the handle seat.

Then remove the handle and handle seat.

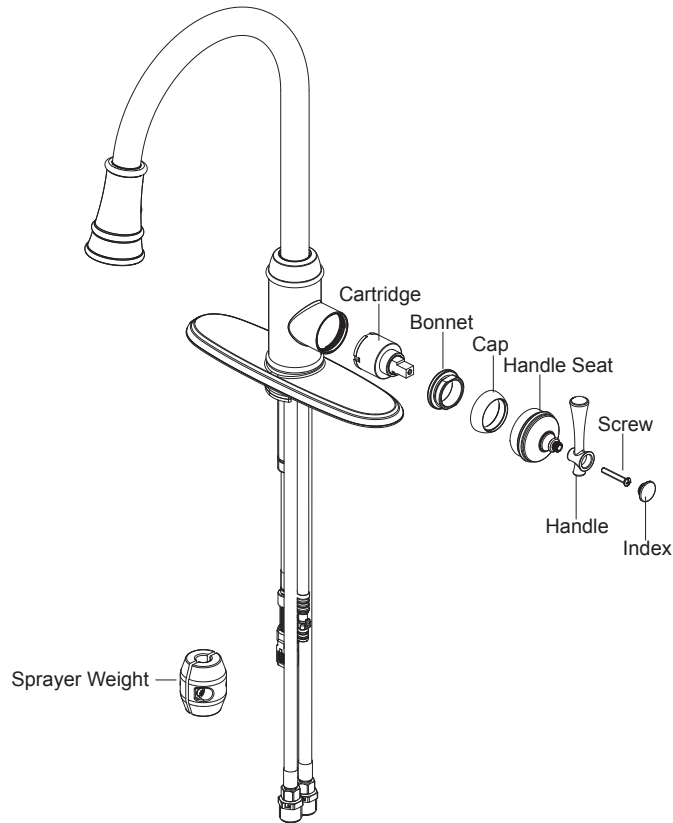
2. Remove cap and bonnet. Lift cartridge off body and remove cartridge seal.

Clean cartridge ports and cartridge seal.

Place cartridge seal into cartridge ports.

3. Replace cap, bonnet, handle, tighten set screw and install index.

Many of these parts come preassembled. This exploded diagram is to assist in trouble shooting.



MAINTENANCE

Your new Design House faucet is designed to give you years of trouble free performance. Keep it looking new by cleaning it periodically with a soft cloth. Avoid abrasive cleaners, steel wool and harsh chemicals that will dull the finish and void your warranty.

Brass finishes are polished, then protected with a lacquer coating to help prevent tarnishing. Clean these surfaces only with a damp, soft cloth.

CONSUMER PROTECTION WARNING

Under the Safe Drinking Water Act, the U.S. Environmental Protection Agency restricts the amount of lead used in brass and solder. Your new faucet is made in strict compliance with all government standards. The materials used in the manufacture of this faucet are of industry standard quality and are similar to other plumbing products having brass fittings.

To reduce the amount of lead in your drinking water, allow the water to run for a moment before filling your glass and remember to always use cold water for drinking purposes.