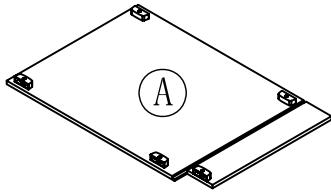


531244

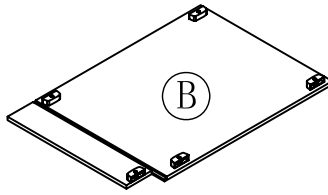
# ASSEMBLY INSTRUCTIONS

DHI Corp. • 5205 W. Donges Bay Rd. • Mequon, WI 53092 • 800.558.8700

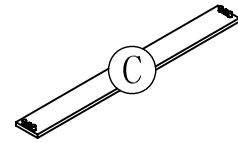
## PARTS LIST:



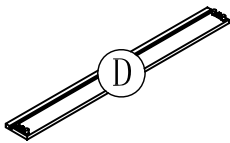
LEFT SIDE PANEL 1PC



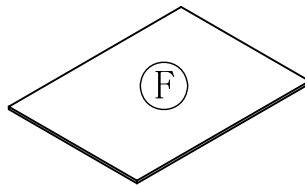
RIGHT SIDE PANEL 1PC



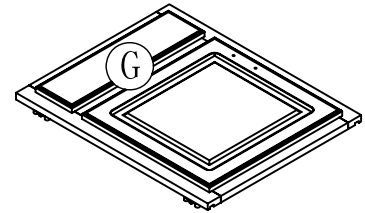
BACK UP CROSS  
BRACE 1PC



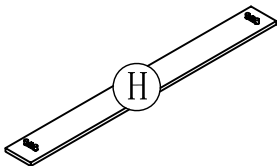
BACK DOWN CROSS  
BRACE 1PC



BOTTOM PANEL 1PC

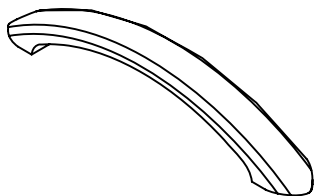


FRONT FRAME 1PC

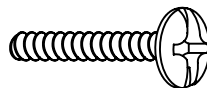


TOE KICK PANEL 1PC

## HARDWARE LIST:

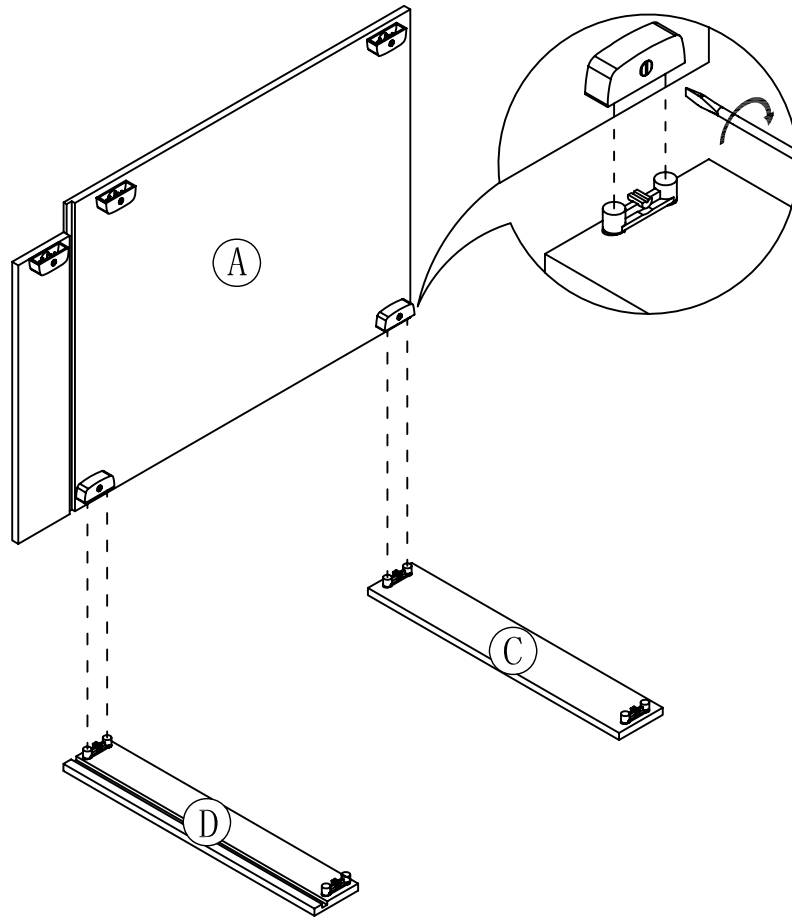


m. HANDLE 1PC

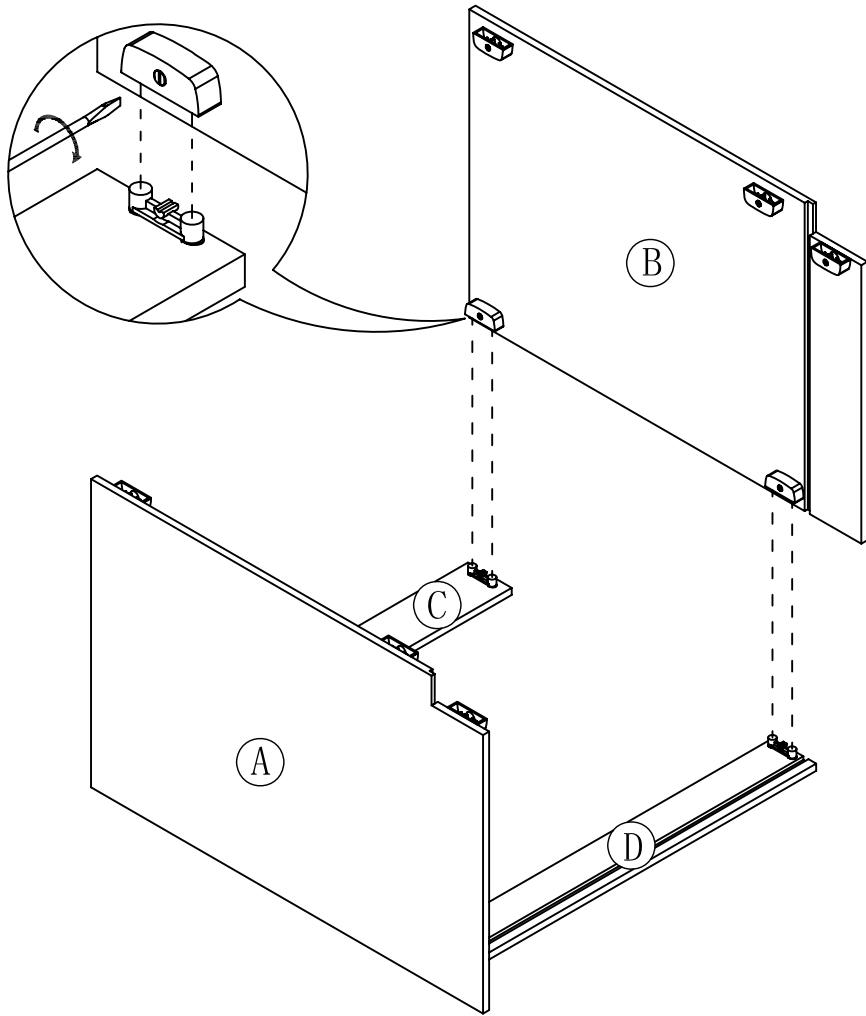


n. HANDLE BOLT 2PCS

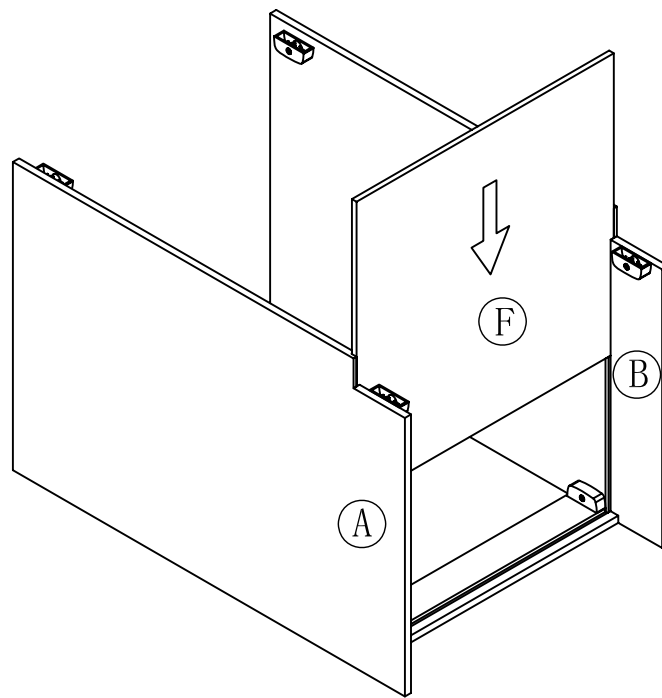
# STEP 1



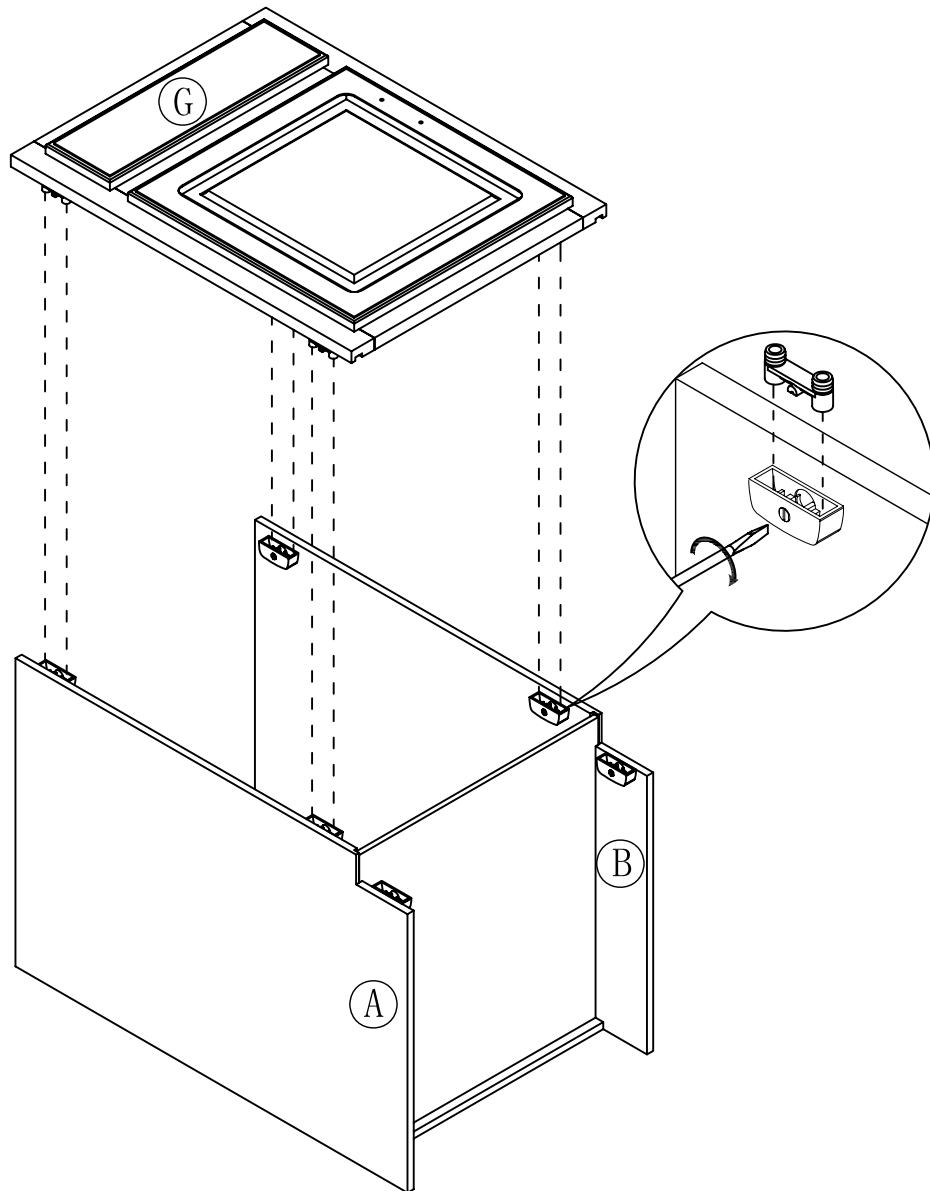
# STEP 2



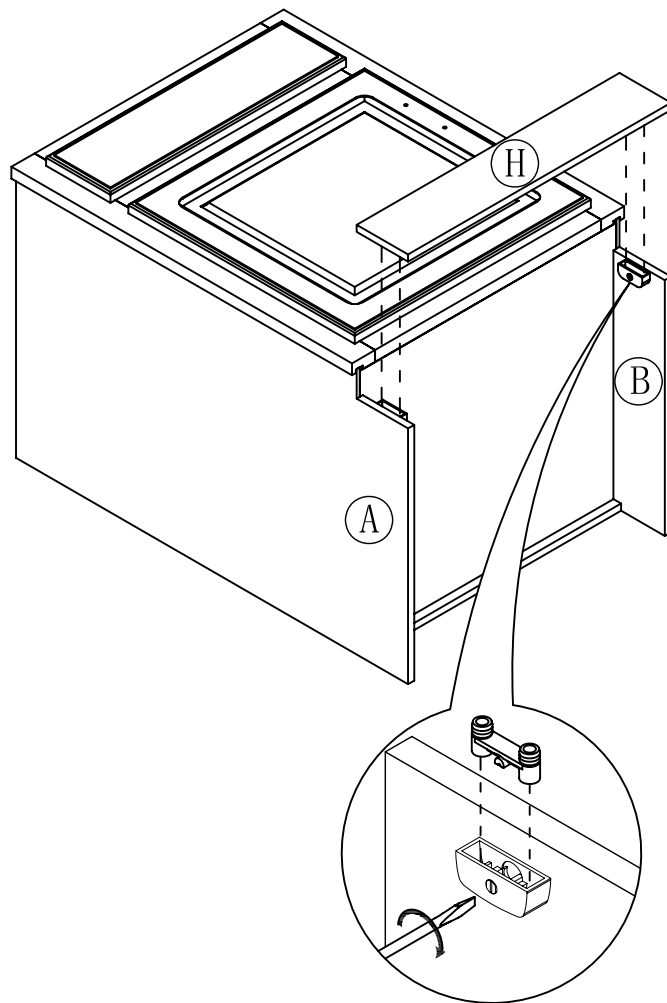
# STEP 3



# STEP 4



# STEP 5



# STEP 6

