

# Concord One Door Vanity

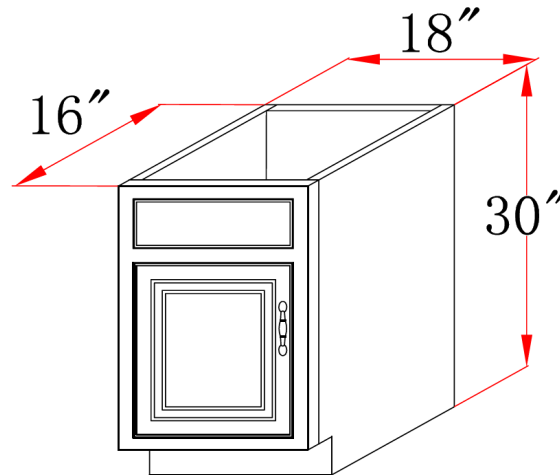


## Specifications

- MDF square panel doors & drawer fronts
- Full frame design
- 1/2" plywood sides
- Concealed adjustable hinges
- Satin nickel hardware included
- Cam-lock connectors for fast & easy assembly
- Vanity top sold separately



## Dimensions



## Warranty & Compliances

**Warranty** Limited 1 year warranty  
**California 93120** Compliant



## Order Codes & Finishes/Colors

18"w x 16"d x 30"h

531244

|                    |
|--------------------|
| <b>Type:</b>       |
| <b>Job:</b>        |
| <b>Order Code:</b> |
| <b>Approvals:</b>  |

Design House reserves the right to make changes in materials, specifications & models at any time. Design House also reserves the right to discontinue product without notice or obligation.