

ASSEMBLY & INSTALLATION INSTRUCTIONS

Venasca-24



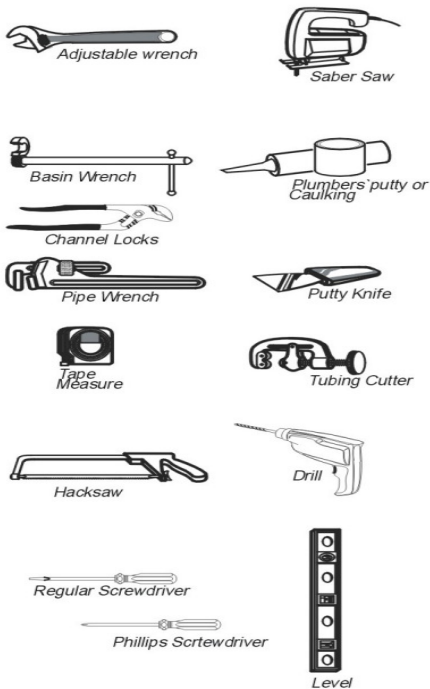
INTRODUCTION

Thank you for selecting our Madeli product. To help ensure your installation proceeds smoothly, read these instructions carefully before you begin. Carefully unpack and examine your new plumbing fixture and review the recommended tools and material section.

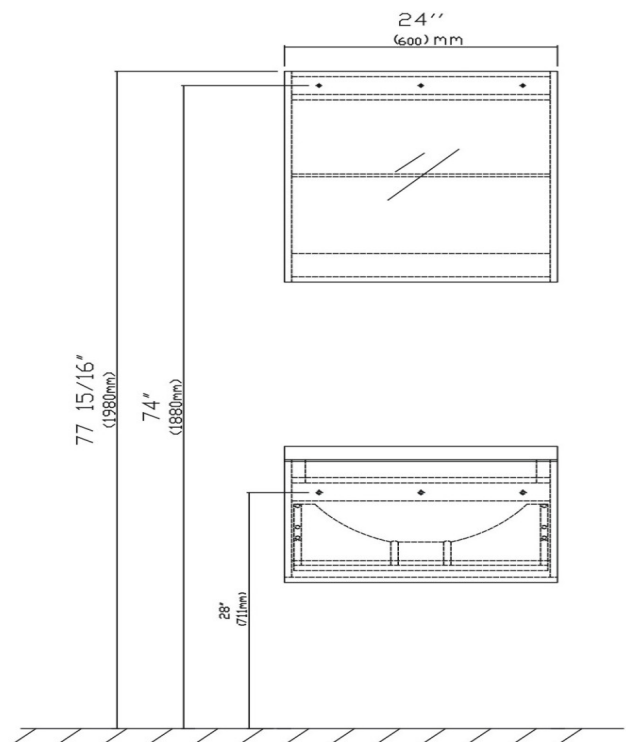
ALL INSTALLATION PROCEDURES MUST COMPLY IN STRICT ACCORDANCE WITH APPLICABLE LOCAL PLUMBING AND BUILDING CODES

Recommended tools and materials:

Some of the procedures may require the use of the following tools.



Roughing-in Dimensions



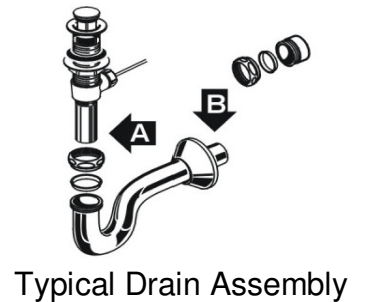
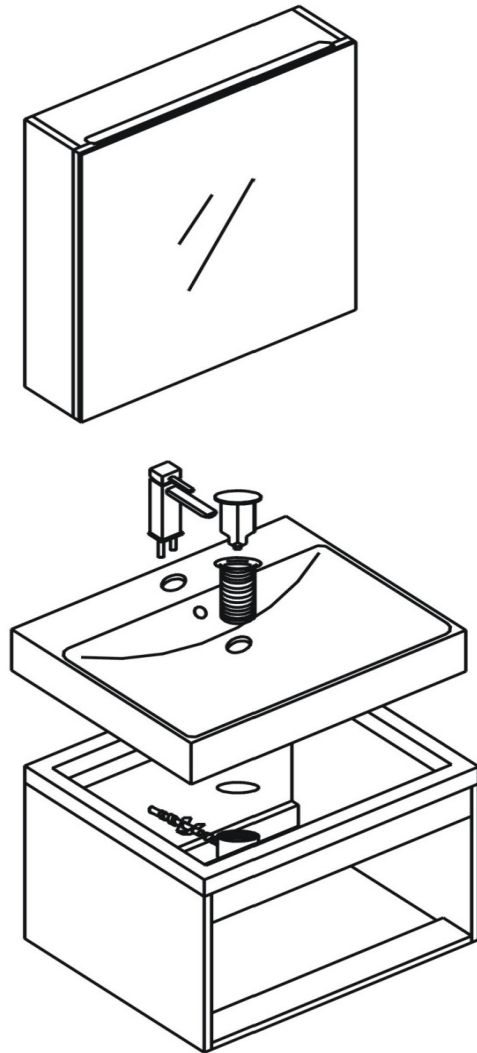
Step One: Use the track level bar, tape measure and pencil to mark holes in desired location. Having established the position, use drill to make holes. Use the hammer to insert anchors into the hole and screw in the screws. Finally put the mirror in place.

Step Two: Place the vanity in position. Level vanity ensuring it is level with water outlets and piping. If the doors are out of alignment they can be fixed by adjusting the hinges.

Step Three: Fix the vanity to the wall through the back rail of the cabinet (for wall hung units). The fixings should be placed on a wall stud. We recommend that you use a toggle or toggle type system if you can't locate a strong solid surface.

<p>1</p>	<p>1 2</p>	<p>1 2 3</p>																	
<p>1</p>	<p>1 2</p>	<p>1 2 3</p>																	
		<table border="1"> <tr> <td data-bbox="909 1484 1015 1564">Code</td> <td data-bbox="1015 1484 1096 1564">①</td> <td data-bbox="1096 1484 1347 1564">②</td> <td data-bbox="1347 1484 1448 1564">③</td> </tr> <tr> <td data-bbox="909 1564 1015 1774">Component</td> <td data-bbox="1015 1564 1096 1774"> </td> <td data-bbox="1096 1564 1347 1774"> </td> <td data-bbox="1347 1564 1448 1774"> </td> </tr> <tr> <td data-bbox="909 1774 1015 1858">Name</td> <td data-bbox="1015 1774 1096 1858">Expended partides</td> <td data-bbox="1096 1774 1347 1858">Wall-hung Iron</td> <td data-bbox="1347 1774 1448 1858">Hexagon screw</td> </tr> <tr> <td data-bbox="909 1858 1015 1934">QTY</td> <td data-bbox="1015 1858 1096 1934">6</td> <td data-bbox="1096 1858 1347 1934">2</td> <td data-bbox="1347 1858 1448 1934">6</td> </tr> </table> <p>Accessory list</p>		Code	①	②	③	Component				Name	Expended partides	Wall-hung Iron	Hexagon screw	QTY	6	2	6
Code	①	②	③																
Component																			
Name	Expended partides	Wall-hung Iron	Hexagon screw																
QTY	6	2	6																

Install faucet and drain in accordance with manufacturer's instructions. Ensure all water supply and drain connections are tightened. Turn on water supply valves and water-test installation.



Connect the trap to the drain assembly hand tight to check alignment. It may be necessary to cut off part of the tailpiece (are "A") or part horizontal leg of the trap (area "B") trap joints for watertight assembly. Connect hot and cold supply lines to the shut off valves. Tighten