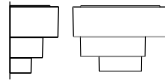


LEUCOS®

INSTRUCTIONS FOR INSTALLATION - LEUCOS USA

LOOP P



A1 Enclosed



One installer



Save instructions

Revised

19 October 2004


USA

WARNING: - DISCONNECT POWER BEFORE INSTALLATION.

- FIXTURE TO BE INSTALLED BY A CERTIFIED ELECTRICIAN.
- INSTALL IN ACCORDANCE WITH THE NATIONAL AND LOCAL ELECTRICAL CODES.
- TAKE GREAT CARE TO AVOID SCRATCHING OR CHIPPING THE GLASS WHEN CARRYING OUT THE OPERATIONS BELOW.

1. Fig.1. Remove plate "S" and then install structure "A" on the wall by the four slots "B".
2. Fig.1. Guide the wires through the opening "C" of plate "S" and then secure it again to the structure "A" (Incandescent version).
3. Fig. 1 e 2 . Insert bulbs and switch on to make a working test.
4. Fig. 2 e 3 . Place the diffuser "D" on structure "A". Take care to match correctly the two slots "F" of the metal collar onto the two corresponding threaded pins "G" of structure "A". Make an easy pressure on diffuser "D", as shown then, lock it on a full contact wall by the two thumb screws "H".
5. Restore power.

Max power : 1x100W / 120V type A-19 

2x18 W / 120V G24q2 Type quad tube 

FOR USA MARKET ONLY

CIRCUIT DIAGRAM:



WHITE NEUTRAL

BLACK PHASE

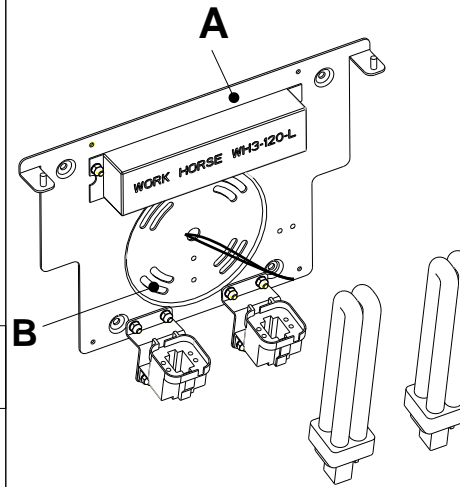
GREEN-YELLOW BARE COPPER WIRE

Ground 

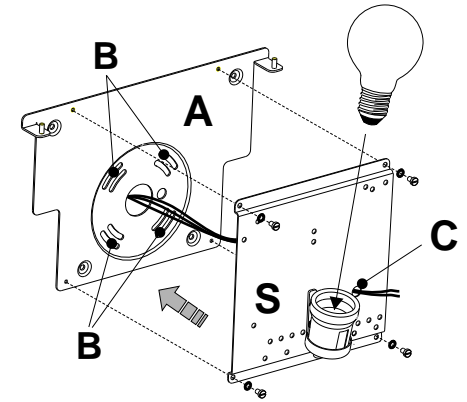
MOUNTS TO STANDARD IUNCTION BOX

For additional information please contact your local dealer or LEUCOS USA at: tel. (732) 225-0010 fax (732) 225-0250

FIG. 1



Fluorescent version



Incandescent version

FIG. 2

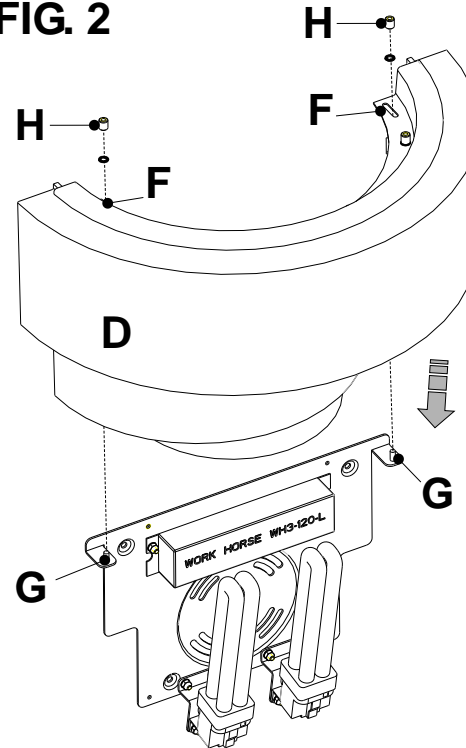


FIG. 3

