

LEUCOS®

INSTALLATION INSTRUCTIONS - LEUCOS USA

BRICK P -metal diffuser



A1

Enclosed



One installer



Save instructions

1 Revised

29 - 04 - 2001

WARNING:

- DISCONNECT POWER BEFORE INSTALLATION.

- FIXTURE TO BE INSTALLED BY A CERTIFIED ELECTRICIAN.

INSTALL IN ACCORDANCE WITH THE NATIONAL AND LOCAL ELECTRICAL CODES.

- TAKE GREAT CARE TO AVOID SCRATCHING OR CHIPPING THE GLASS WHEN, CARRYING OUT THE OPERATIONS BELOW

Follow directions carefully to avoid scratching the glass diffuser.

1. Loose screw "A" from fixture body "B" and remove cover "C" FIG.1
2. Attach the fixture body "B" to the J-Box through slotted holes "D" which will allow, if necessary, to the structure to be regulated. FIG.2
3. Connect the fixture's electrical wires to the supply wire.
4. Put cover "C" over fixture body "B".
5. Install the glass diffuser "E" to the fixture body "B" and secure it with screw "F".FIG.3
6. Install the light bulb (s). FIG. 3
7. **For the halogen version only**-position the Pyrex glass 'on the top of the bulb over the pins "G" and secure it with the two screws provided. FIG.6
8. Restore power.

FOR USA MARKET ONLY

Recommended lamps: **WALL HALOGEN** max 1x200W - RSC Type T3
WALL FLUORESCENT max 2x9W - 277V Gx23

For additional information please contact your local dealer or LEUCOS USA at: tel. (732) 225-0010 fax (732) 225-0250

FOR USA MARKET ONLY

CIRCUIT DIAGRAM:

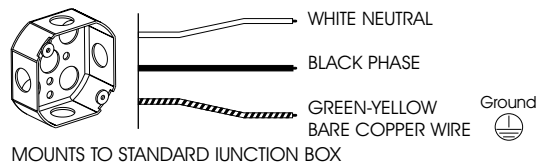


FIG.1

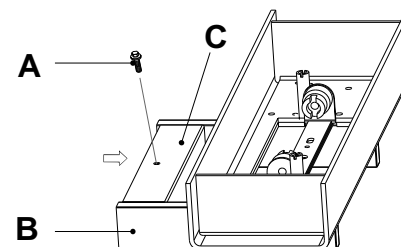


FIG.2

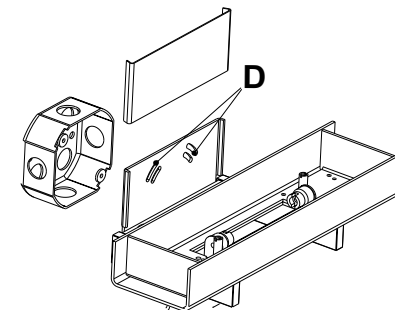


FIG.3

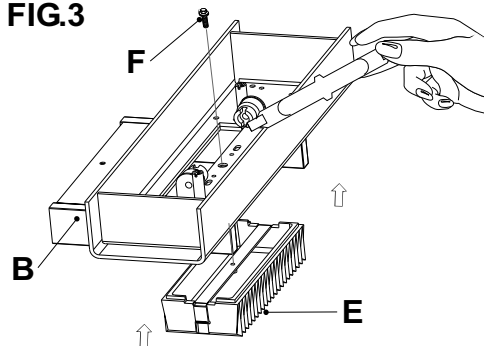
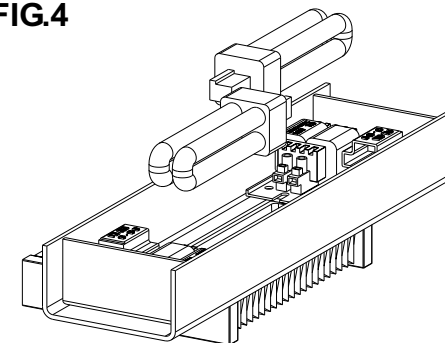
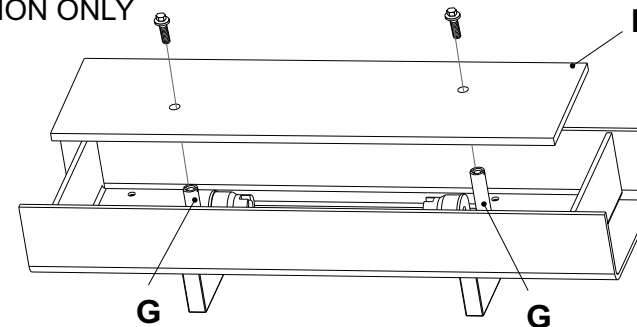


FIG.4



HALOGEN VERSION ONLY



LEUCOS®

INSTALLATION INSTRUCTIONS

BRICK P - Glass diffuser



A1
Allegato



One installer



Save instructions

Indice di edizione - Revised
19 September 2005

**DISCONNECT POWER BEFORE INSTALLATION.
INSTALL IN ACCORDANCE WITH THE NATIONAL AND LOCAL ELECTRICAL CODES.**

Follow directions carefully to avoid scratching the glass diffuser.

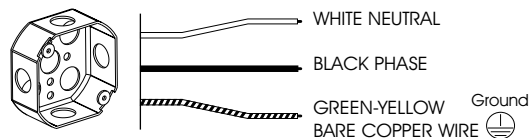
1. Loose screw "A" from fixture body "B" and remove cover "C" FIG.1
2. Attach the fixture body "B" to the wall through slotted holes "D" which will allow, if necessary, to the structure to be regulated. FIG.2
3. Connect the fixture's electrical wires to the supply wire.
4. Put cover "C" over fixture body "B".
5. Install the glass diffuser "E" to the fixture body "B" and secure it with screw "F". FIG.3
6. First remove the 2 posts "G" together with the springs "H" FIG.2. Place the glass diffuser over the fixture head. 4/1 Secure the glass diffuser first with the spring "H" and then with the post "G". FIG.4/5
7. Install the light bulb (s). FIG.6
8. For the halogen version only-position the Pyrex glass 'on the top of the bulb over the pins "G" and secure it with the two screws provided. FIG.6
9. Restore power.

Recommended bulb (s):

FOR U.S.A. MARKET ONLY:

max 1x200W TYPE: RSC-T3 

CIRCUIT DIAGRAM:



MOUNTS TO STANDARD IUNCTION BOX

For additional information
please contact your local dealer
or LEUCOS USA at:
tel. (732) 225-0010 fax (732) 225-0250

FIG.1

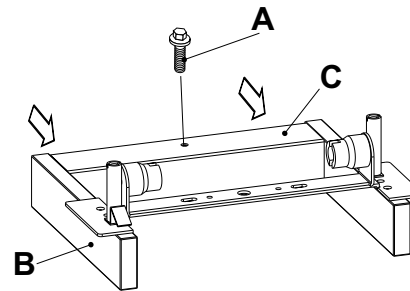
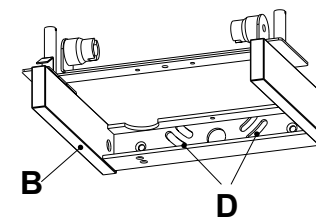


FIG.2



FOR USA MARKET ONLY

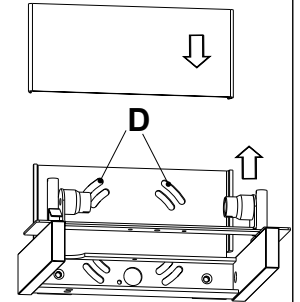


FIG.3

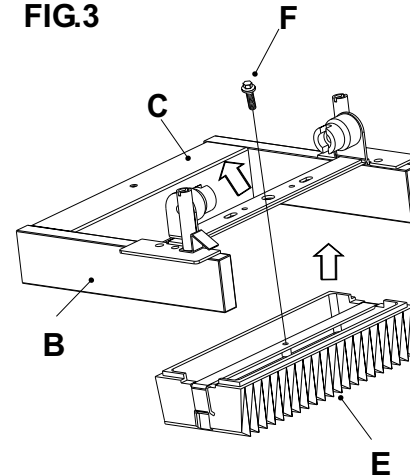


FIG.4

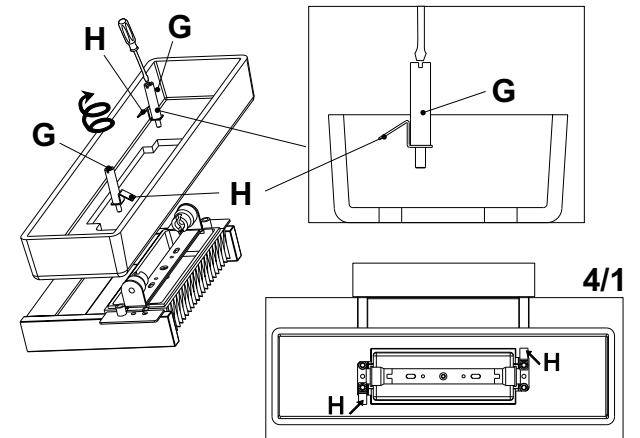


FIG.5

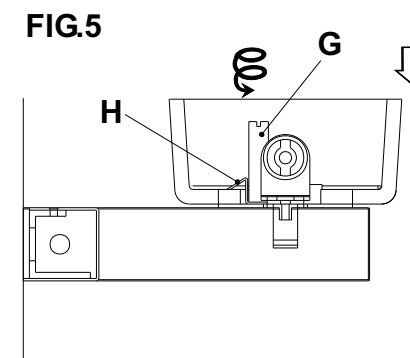


FIG.6

