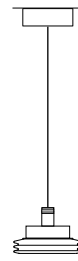




LEUCOS®

INSTALLATION INSTRUCTION - for U.S.A. MARKET

ONY S & DISK S



ONY S

A1 Enclosed



One installer



Save instructions

Revised
21 September 2005

DISK S

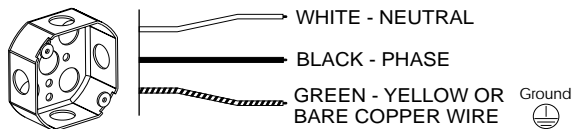
WARNING: -BEFORE STARTING INSTALLATION MAKE SURE THE POWER IS OFF
- DURING THE OPERATIONS, PAY ATTENTION NOT TO SCRATCH OR TO CHIP THE GLASS.

- 1.) Install metal plate "A" to the junction-box ILL.1
- 2.) Adjust the lamp at the desired length then secure the wire with a knot inside the canopy as shown then make the wire connections.
- 3.) Secure the metal canopy "B" to the backplate "A" by securing it with the side screw "P" provided. ILL. 1
- 4.) ILL.2 - Insert bulb G9 - 60W and switch on to make a working test.
- 5.) ILL.2 - Install the glass diffuser "G", making sure that the three metal springs "X" are positioned inside the slots "Y" of the glass diffuser. When the collar of the glass diffuser is completely inside the structure, turn it clockwise keeping a moderate upward pressure until you hear two clicks. After hearing the second click the glass is securely installed.

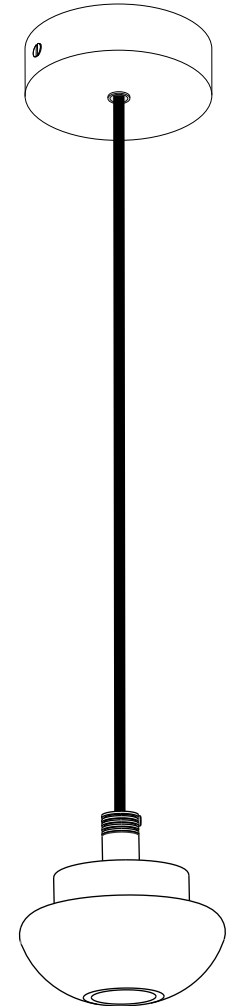
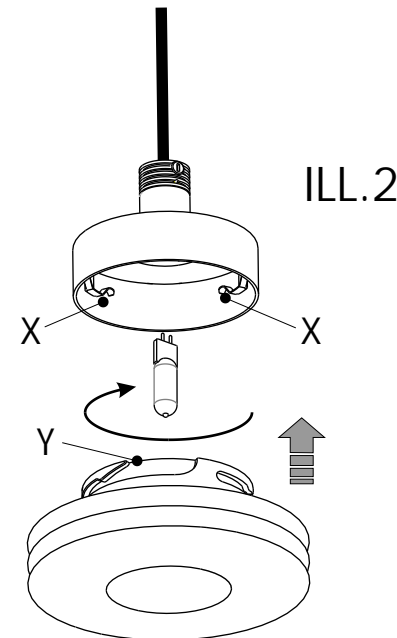
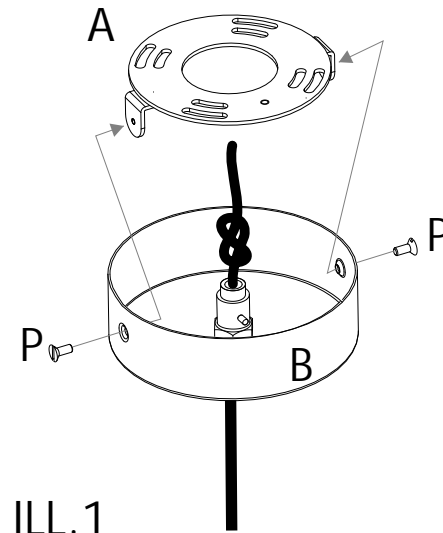
PLEASE NOTE: If during the installation you feel that the glass diffuser is not properly secured, do not force it. Turn the glass diffuser counterclockwise by applying a small pressure until it releases. repeat the previous steps until the glass is properly secured.

Ony S and Disk S - max 1x60W - 120V TYPE T4 G9 

CIRCUIT DIAGRAM:



MOUNTS TO STANDARD JUNCTION BOX



For additional information please contact your local dealer or **LEUCOS USA** at:
tel. (732) 225-0010 fax (732) 225-0250