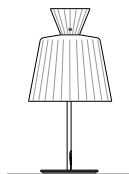


L E U C O S[®]

INSTALLATION INSTRUCTIONS / LEUCOS USA

KATERINA T



A1

Enclosed



One installer



Save instructions

Revised

14.11 2006

WARNING:-

- Disconnect power before installation.
- Fixture to be installed by a certified electrician.
- Install in accordance with the national and local electrical codes.

ATTENTION IN CASE OF DAMAGE OF THE FLEXIBLE SUPPLY CABLE, SUBSTITUTION SHOULD BE CARRIED OUT BY THE CONSTRUCTOR, CLIENT SERVICE OR QUALIFIED PERSONNEL, IN ORDER TO AVOID DANGER.

1. Place the fixture in an upright position.
2. Insert light bulb.
3. Place the glass diffuser as shown d in the drawing.
4. Adjust the glass in the correct position.
5. Secure the glass diffuser by screwing the locking device "C" on the threaded pin "E". In the event of a not complete locking of the glass, take care to turn upside-down the device "C" as shown in Fig.2.
6. Plug the fixture to te outlet.

PLEASE NOTE: due to the characteristics of the type of finish of the fixture base, please do not use any cleaning products that contains alcohol, harsh substances or ammonia. Simply use a soft cloth slightly moist.

ATTENTION IN CASE OF DAMAGE OF THE FLEXIBLE SUPPLY CABLE, SUBSTITUTION SHOULD BE CARRIED OUT BY THE CONSTRUCTORS, CLIENT SERVICE OR QUALIFIED PERSONNEL, IN ORDER TO AVOID DANGER.



KATERINA T - max 1x100W-120V type A-19

For additional information please contact your local dealer or
LEUCOS U.S.A. at: Tel. (732) 225-0010 Fax. (732) 225-0250

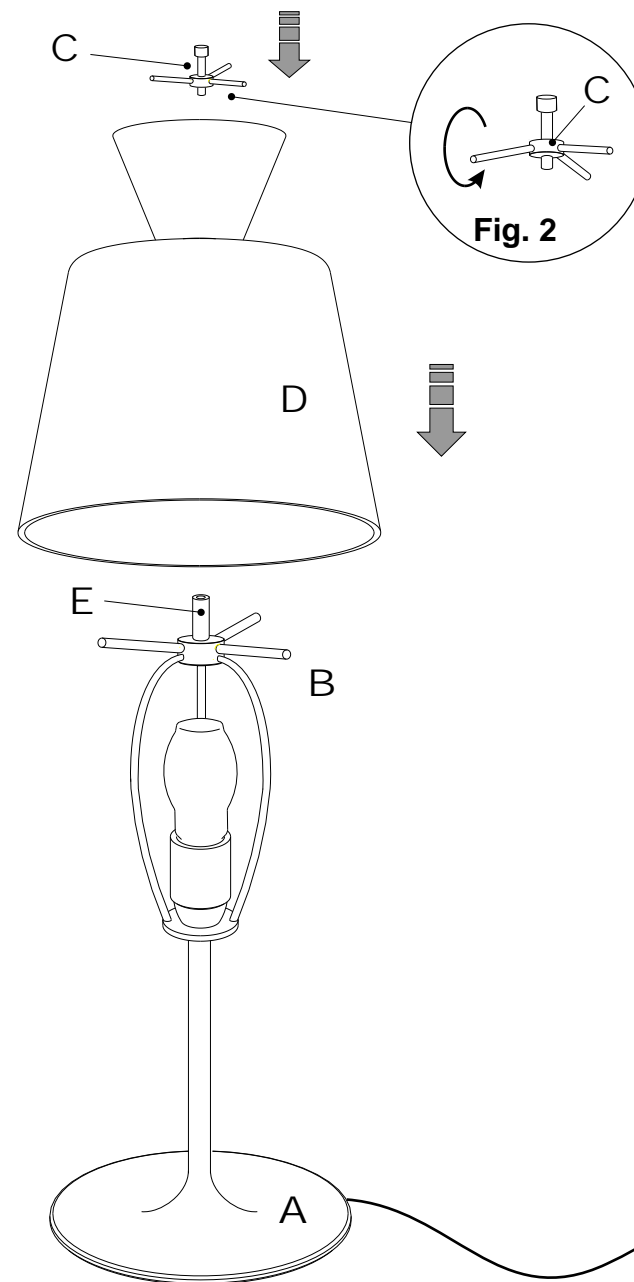


Fig. 1