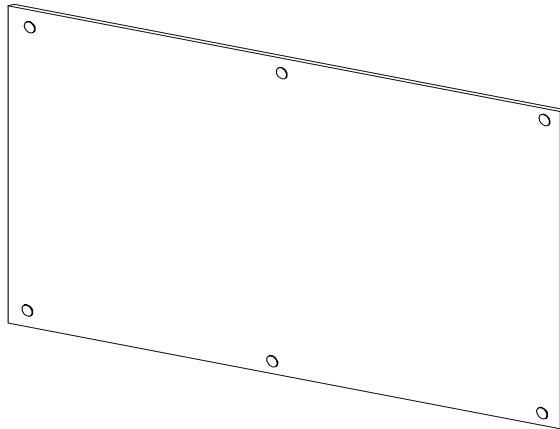




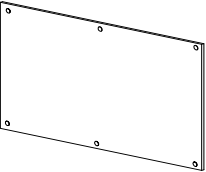
Enlighten™ Boards



Assembly Instructions

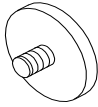
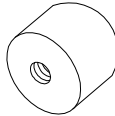


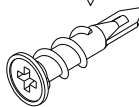
Enlighten™ Board

Part	Drawing	Description	Qty	Part	Drawing	Description	Qty
------	---------	-------------	-----	------	---------	-------------	-----

P-1		Glass Board	1 EA
-----	---	-------------	------

Hardware Chart by Model # & Board Size	
83950	2'X3' GBoard - 4 pcs. (A), (B) 6 pcs. (C), (D),(E)
83951	3'X4' GBoard - 4 pcs. (A), (B) 6 pcs. (C), (D), (E)
83952	4'X6' GBoard - 6 pcs. (A), (B) 8 pcs. (C), (D), (E)
83948	1' X1' GBoard- 4 pcs. (A),(B) 6 pcs. (C), (D), (E)
83949	1.5" X 2' GBoard- 4 pcs. (A), (B) 6 pcs. (C), (D), (E)
83954	20" X 30" GBoard-4 pcs. (A),(B) 6 pcs. (C), (D), (E)

Hardware List

A		Outer Cap	See Chart
B		Wall Mount	See Chart
C		Plastic Anchor	See Chart
D		CS Screw	See Chart
E		Drywall Anchor	See Chart

t

Missing Parts or UPS Damaged Parts
 For Your Convenience you can
 EMAIL us at
support@moorecoinc.com
 24HOURS 7 DAYS A WEEK

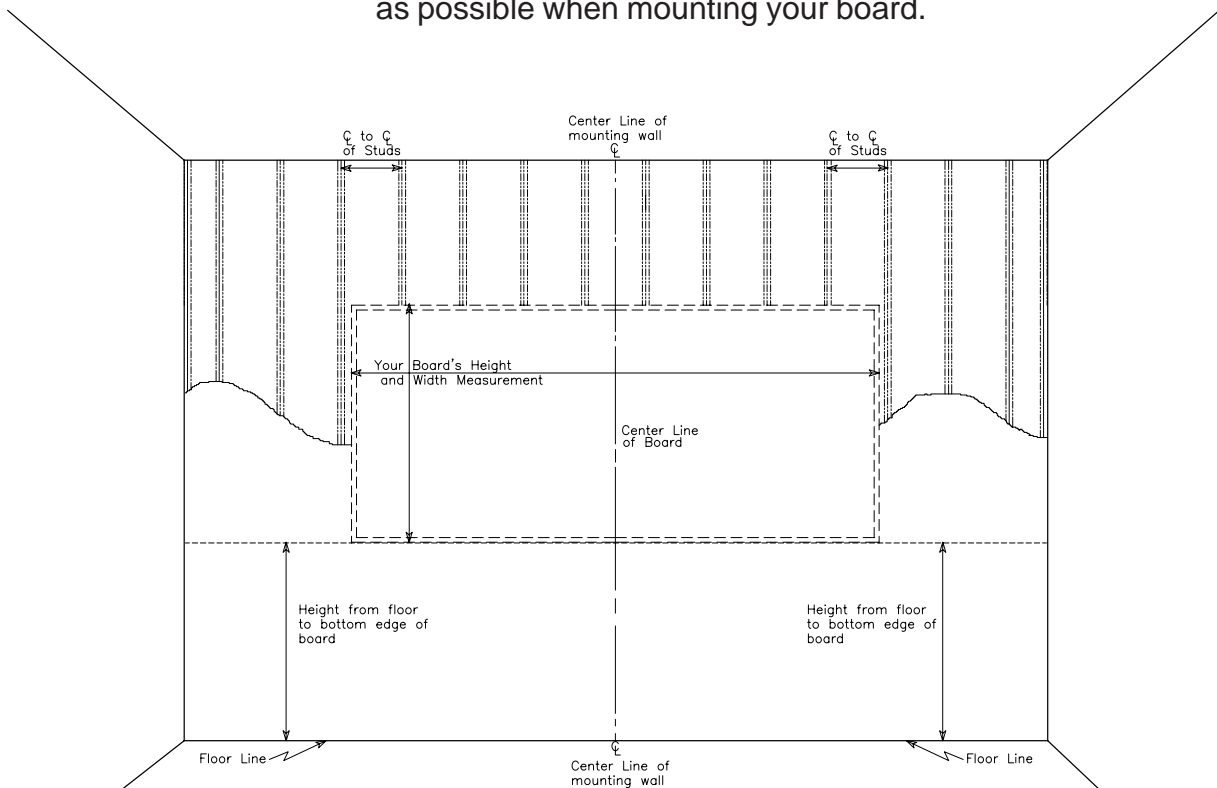
*Should you require assistance during assembly,
 please call our
 Customer Service Department
 Monday - Friday 8 a.m. - 5 p.m.
 Central Standard Time
 Toll-Free Customer Service
1-800-749-2258*

Important Information

Do not use unless all screws are tight. At least every six months, check all screws to be sure they are tight. If parts are missing, broken, damaged, or worn, stop use of the product until repairs are made by your dealer using factory authorized parts.

Preparing to Install Your New Enlighten™ Board

- 1.) Measure the length and width of your new board. Determine the wall center line and height off the floor that you want your new board to be located. Hold your board up in position and draw a line under the bottom of the board and parallel with the floor. If your wall has studs, determine the centerline of the studs. It is recommended that you tie into as many studs as possible when mounting your board.



Typical Room With Stud Wall Centered Board Layout

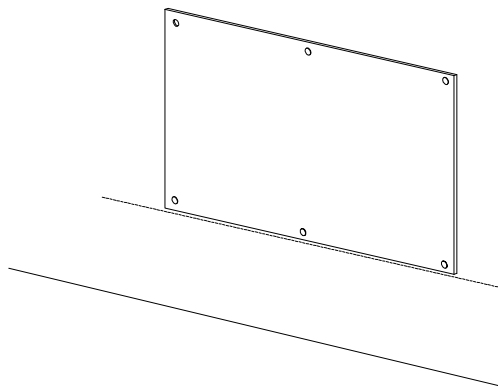
NOTE: The proper installation of your board will require at least two people.
Tools required: Tape measure, chalkline, electric drill / screwdriver, drill and screwdriver bits, stud finder and level.

Illustration # 1

- 2.) When you have your glass board positioned, mark the wall through the mount holes that are in the board.

Note: If you are installing a marker tray, go to the Tray Mounting Steps next.

Illustration # 2

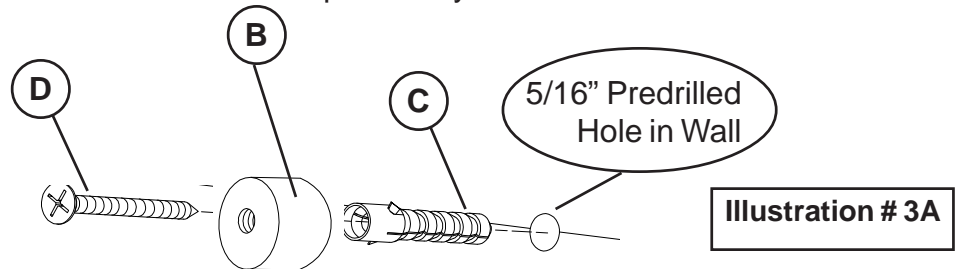


Installing the Glass Board

3.) After you have followed the guidelines from Page 3, install the correct number of Board Mounts (B) for the size board you are mounting to the wall. Install the Board Mounts as shown in Illustration #3A and #3B.

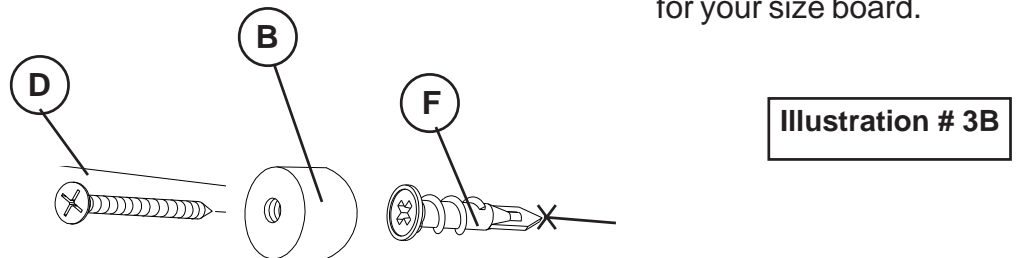
3A.) For all walls except sheet rock:

Predrill a 5/16" diameter hole in the center of each of your marked mount holes. Push in a Plastic Anchor (C) into each predrilled hole. Place the Wall Mount (B) on top of the Plastic Anchor (C) and attach using one CS Screw (D). Repeat this Step for each Wall Mount that is required for your size board.



3B.) For sheet rock walls:

Screw in a Drywall Anchor (F) in the center of each of the marked mount holes. Place a Wall Mount (B) on top of each Drywall Anchor (F) and attach using one CS Screw (D). Repeat this Step for each Wall Mount that is required for your size board.



4.) Center the Glass Board (P1) over the Wall Mounts (B). Secure the Glass Board (P1) in place by screwing in a Top Cap (A) into each threaded hole in the Wall Mounts (B) as shown in Illustration #4

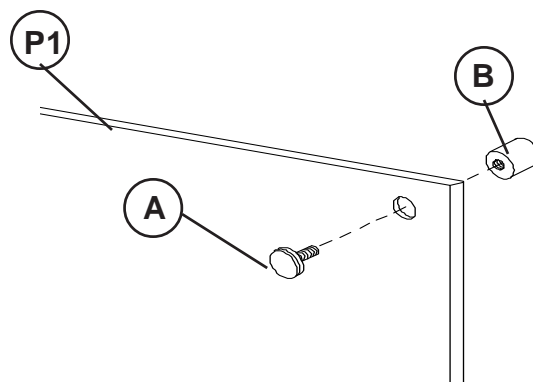


Illustration # 4