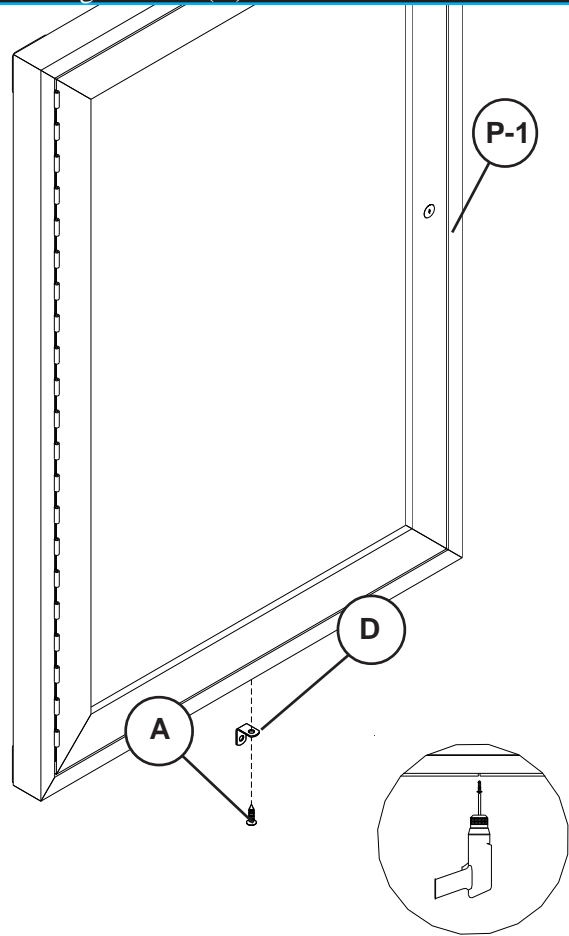
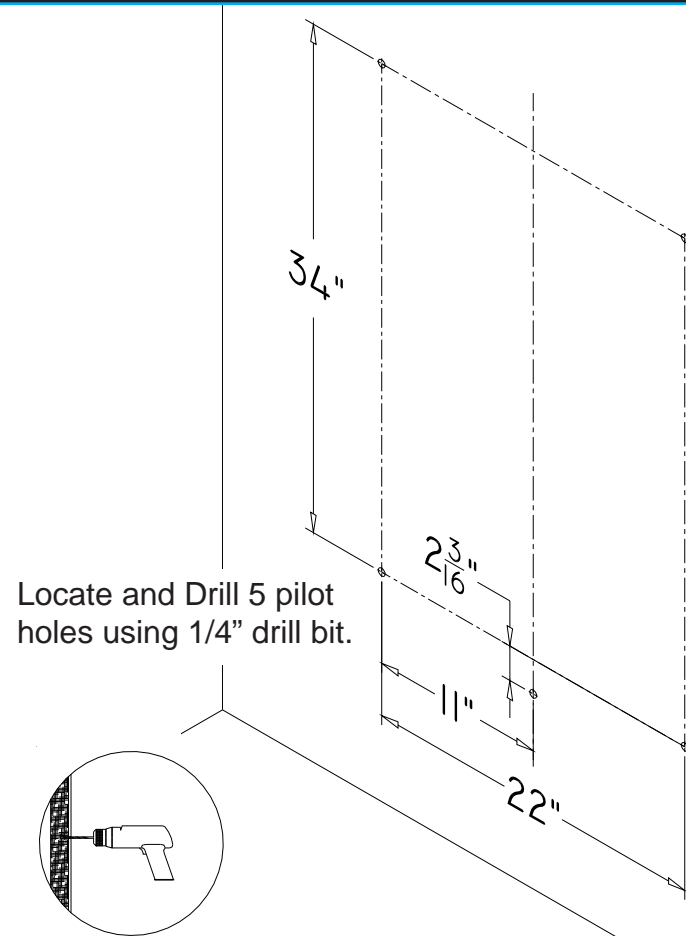


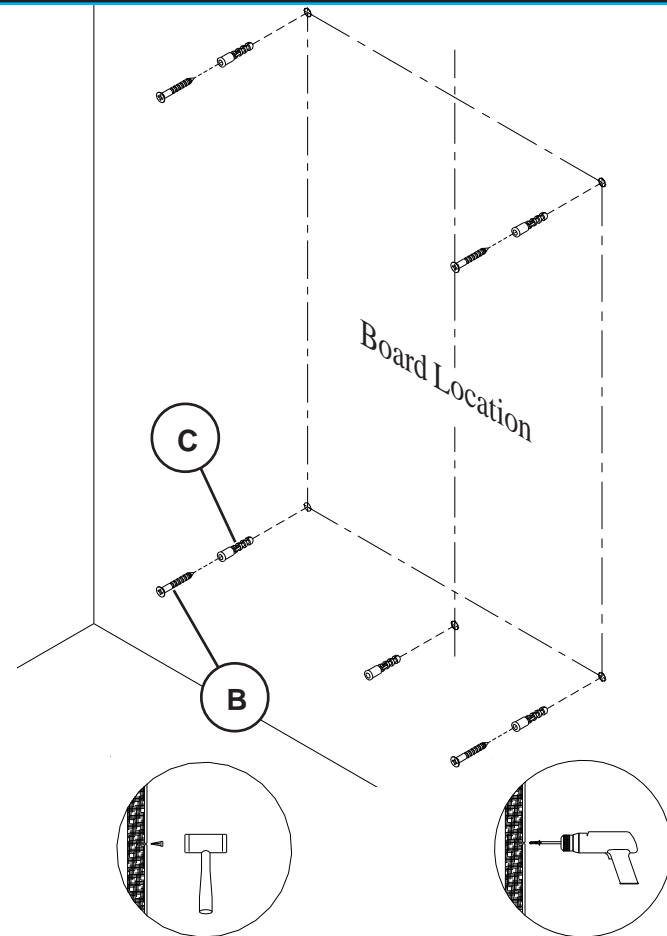
1 Attach Security Bracket (D) to bottom of Cabinet (P-1) using 1 Screw (A).



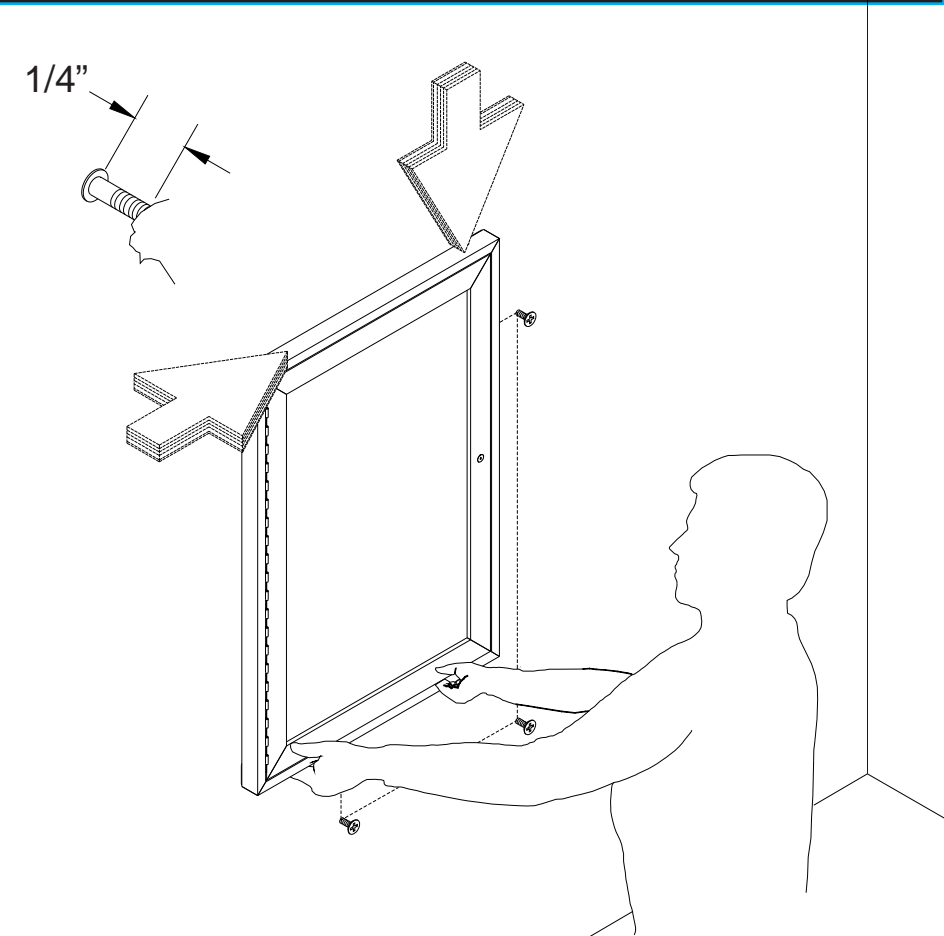
2 Locate centers of 5 holes and Drill as shown.



3 Install 5 Wall Anchors (C). Insert 4 Screws (B) as shown.



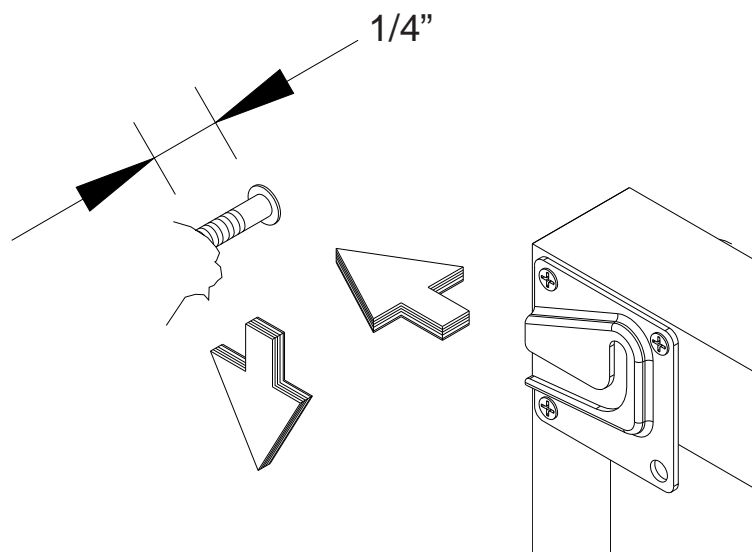
4 Align Brackets with Screws and hang Cabinet.



5 Align Brackets with Screws and hang Cabinet.

6 Attach Security Bracket to the Wall using 1 Screw (B).

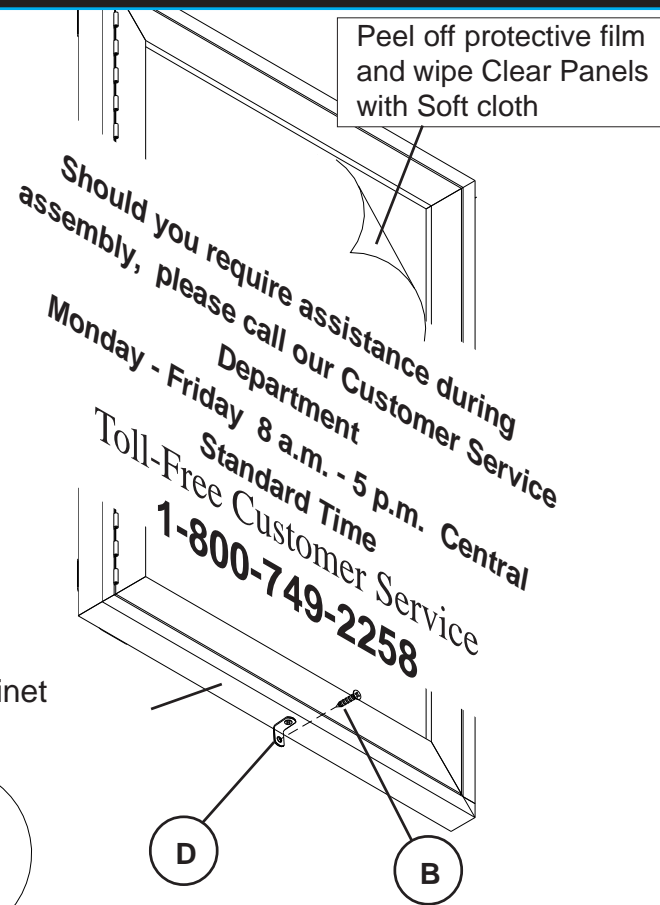
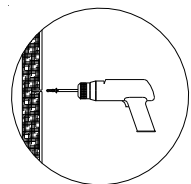
Detail View bracket-Screw



Be sure the Head of the Screw is 1/4" away from wall.

Align brackets on back of cabinet with screws. slide Cabinet to the right about 1-1/4" until it slides down.

Bottom of Cabinet



Parts List

P1	Cabinet	1 EA
----	---------	------

Hardware List

A	Short Screw	1 EA
B	Long Screw	5 EA
C	Plastic Screw Anchor	5 EA
D	Security Bracket	1 EA
E	1 Set of Keys	1 EA

BEST-RITE®
"It's A Better Board"

94HWB
24 x 36" Wall Mount
Tackboard Cabinet

