

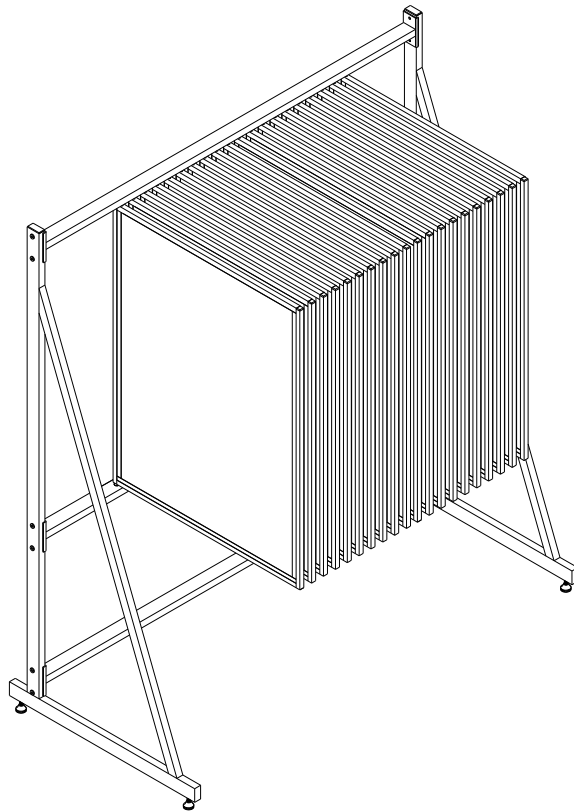
**BEST-RITE**®

*“It’s A Better Board”*

Since 1950

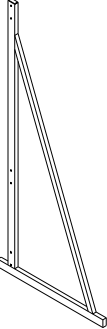



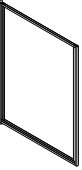
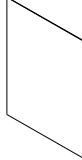
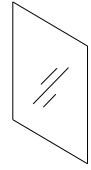
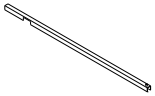
[www.bestrite.com](http://www.bestrite.com)

# Floor Swing Panels 694/695



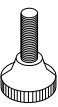
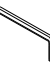
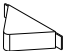


## Assembly Instructions

# Floor Swing Panels (694/695)

Part	Drawing	Description	Qty
P-1		Leg	2 EA
P-2		Top Cross Bar w/ deep holes	1 EA
P-3		Middle Cross Bar w/ angle support	1 EA
P-4		Bottom Cross Bar w/ shallow holes	1 EA
P-5		Panel Frame	10/20 EA
P-6		White Poster Panel	20/40 EA
P-7		Acrylic Panel	20/40 EA
P-8		Top U-channel	10/20 EA

## Hardware List

A		Socket Screw	12 EA
B		Interior Threaded Post	12 EA
C		Glide	4 EA
D		Allen Wrench	1 EA
E		Panel Spacer (2/panel)	20/40 EA

**Should you require assistance during assembly, please call our Customer Service Department Monday - Friday 8 a.m. - 5 p.m. Central Standard Time Toll-Free Customer Service 1-800-749-2258**

# Floor Swing Panels Assembly Diagram

**READ THROUGH INSTRUCTIONS FROM BEGINNING TO END BEFORE STARTING TO ASSEMBLE UNIT.**

1. To Assemble:

Identify and Separate all the Parts and Hardware.

- Assemble Top Cross Bar with deep holes (P-2) with holes facing down on top of the Legs (P-1), and Middle Cross Bar with angle support (P-3) with holes facing up. Also assemble Bottom Cross bar with holes facing to the floor (P-4) between the 2-Legs (P-1) by using Socket Screws (A), and Interior Threaded Post (B) and tighten with Allen Wrench (D). See illustration # 1.
- If you have 20 panel unit, see additional instruction sheet with Cross Bars before you do any other step.

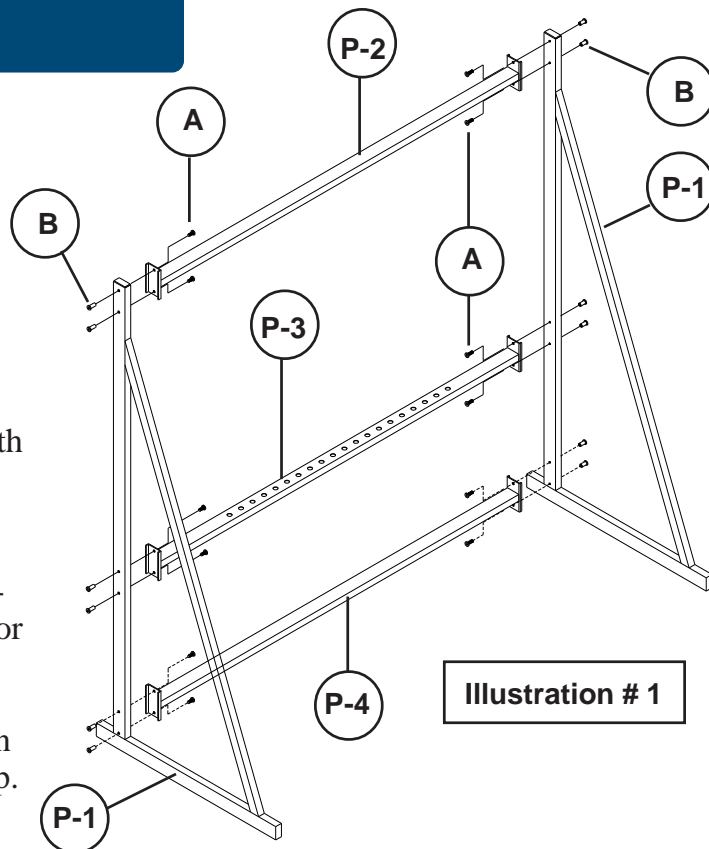


Illustration # 1

- Install Glides (C) one at the time, as shown in illustration # 2 and # 2a.

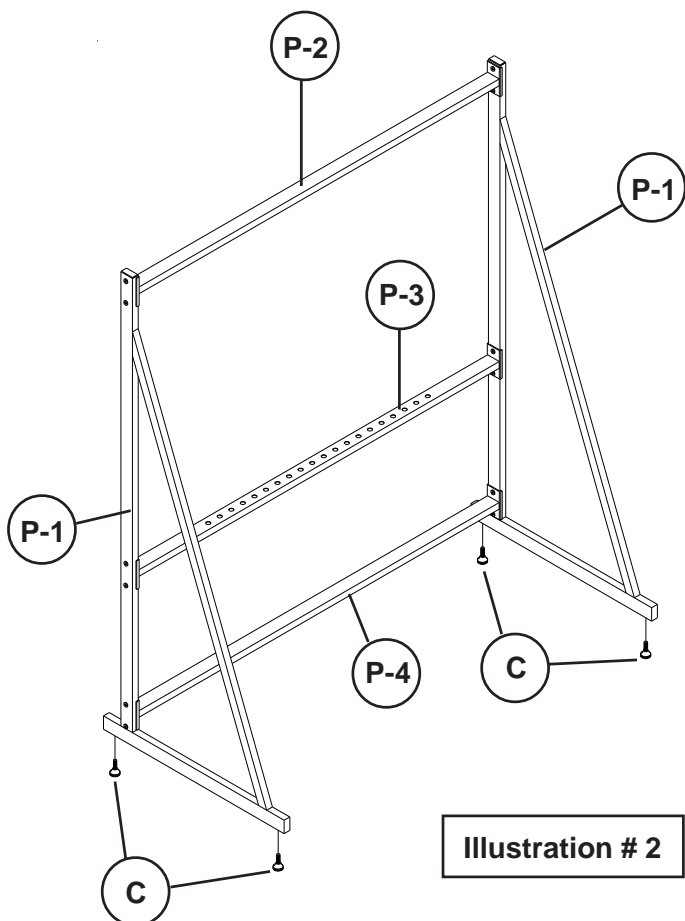


Illustration # 2

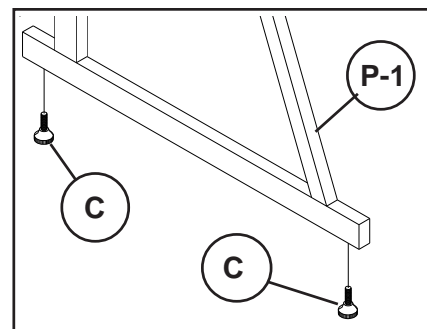


Illustration # 2a

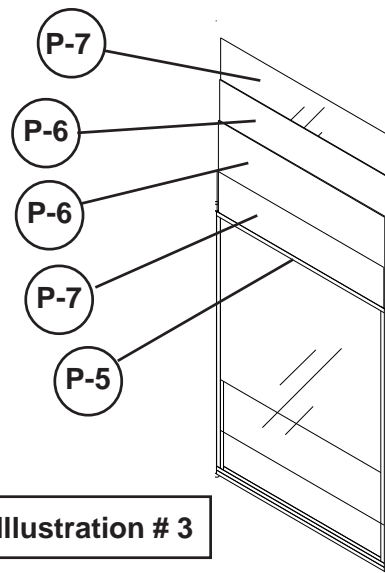
**Missing Parts or UPS Damaged Parts**

For your convenience you can  
EMAIL us at

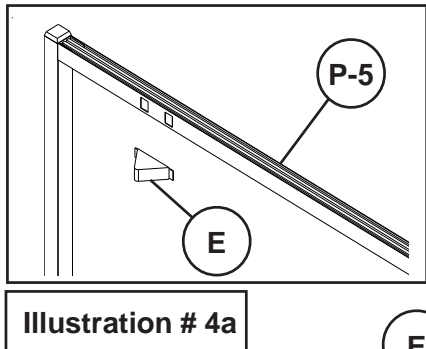
***[boards@bestrite.com](mailto:boards@bestrite.com)***

24 HOURS 7 DAYS A WEEK

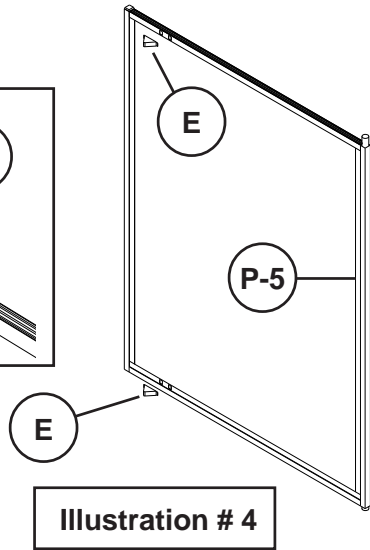
4. Remove the poly cover from both sides of the Acrylic Panels (P-7). Slide the White Poster Panel (P-6) or Hook & Loop boards (optional) in between the Acrylic Panels (P-7) and insert into the Panel Frame (P-5) as shown in illustration # 3.
- If you have 694U or 695U models you would not have Acrylic Panels (P-5).



**Illustration # 3**



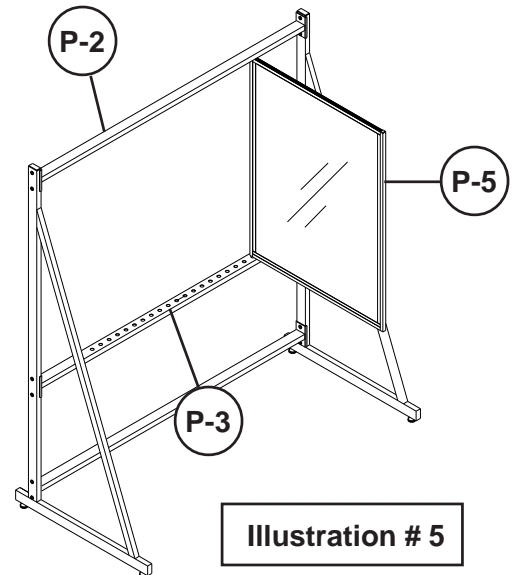
**Illustration # 4a**



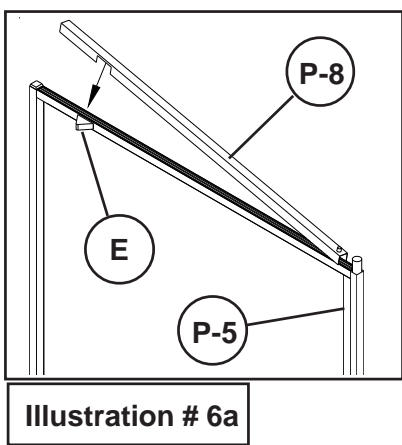
**Illustration # 4**

5. Insert one tab of Panel Spacer (E) in punched slot and, using your thumb, compress the Spacer (E) until the second tab inserts into the second slot. See illustration # 4 and # 4a. There are 2-Spacers (E) per each Panel Frame (P-5).

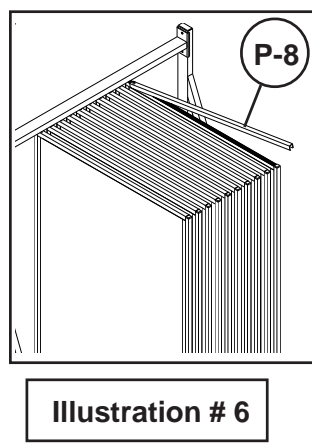
6. Place the long stub coming out of the Panel Frame (P-5) into first hole underneath the Top Cross bar (P-2), push up as far as it goes into the hole and set the smaller stub on the bottom of the Panel frame (P-5). Line up with the first hole on the Bottom Cross bar (P-3) as shown in illustration # 5. Repeat the same step to place all your Panel Frames (P-5).



**Illustration # 5**



**Illustration # 6a**



**Illustration # 6**

7. Slide the U-Channel (P-8) on top of each Panel Frame (P-5). This step will secure all panels from falling off. See illustration # 6 and # 6a. To access the panels you must remove the U-Channel (P-8) to bring the Panel Frame (P-5) down.

Do not use unless all screws are tight. At least every six months, check all screws to be sure they are tight. If parts are missing, broken, damaged, or worn, stop use of the product until repairs are made by your dealer using factory authorized parts.