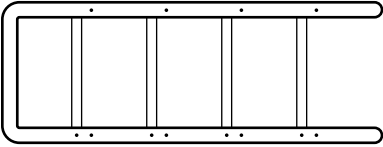


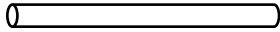
Tools Required: Phillips head screwdriver (not included)

Parts Included:

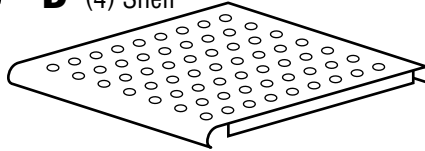
A (2) Frame



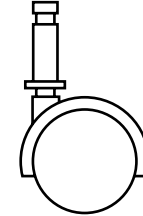
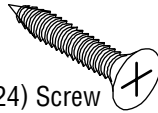
B (12) Crossbar/
Front & Rear Rail



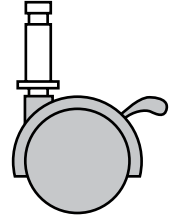
D (4) Shelf



C (24) Screw

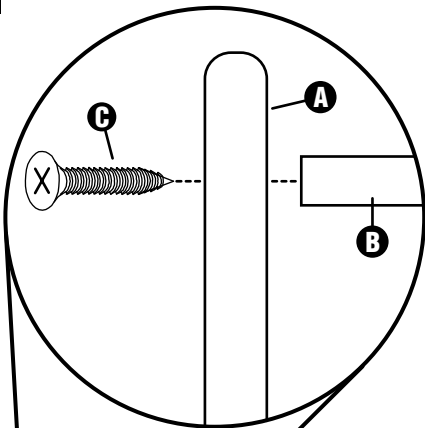


E (2) Caster



F (2) Locking
Caster

1

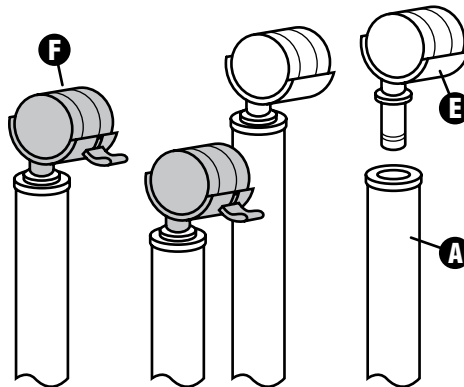


To Assemble:

- 1** Attach 12 crossbars (**B**) to one frame (**A**) using 12 screws (**C**) through the pre-drilled holes in frame. Do not fully tighten screws yet. Attach second frame to opposite end of 12 crossbars.
- 2** Snap two locking casters (**F**) into the same end of each frame. Snap two non-locking casters (**E**) into frames.
- 3** Snap four shelves (**D**) onto four pairs of crossbars as shown in the Step 3 illustration. The curved ends of the shelves should snap over the crossbars and lock into place.

Adjust frame to make sure it is square. Fully tighten all 24 screws, alternating from side to side to assure the frame remains square.

2



3

