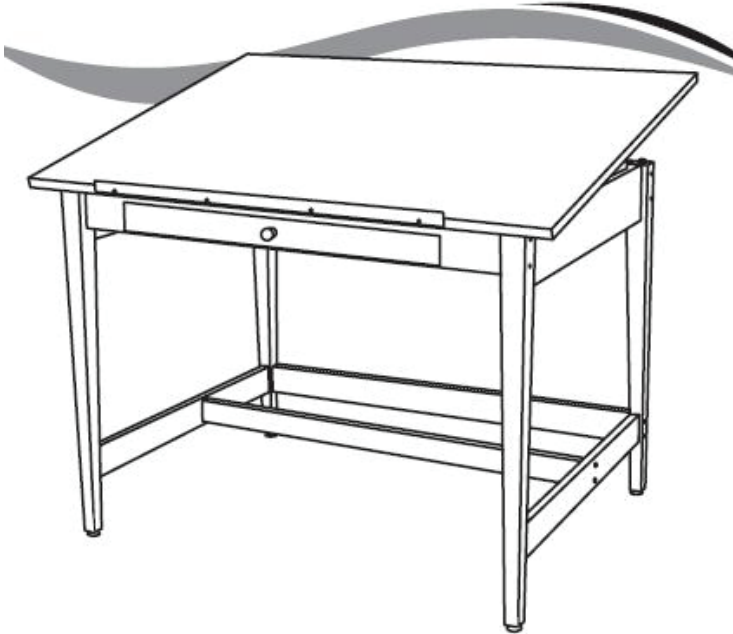


Instruction Supplement #2

Aug 31, 2010

READ THIS SHEET BEFORE ASSEMBLING TABLE



VANGUARD DRAWING TABLE

MODEL VAN48

With production date
code **MAR 2010** only

The Vanguard table you have received might be missing some pre-drilled holes and screws. This supplementary instruction sheet and extra hardware pack will assist you during assembly. Please follow the steps on this sheet while referring to the original instructions.

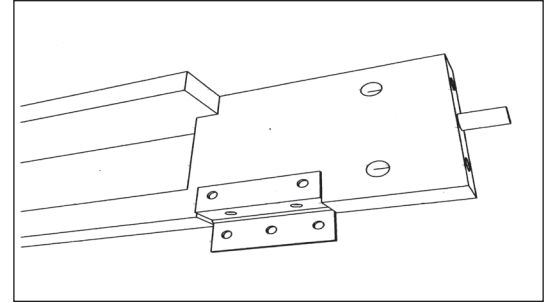
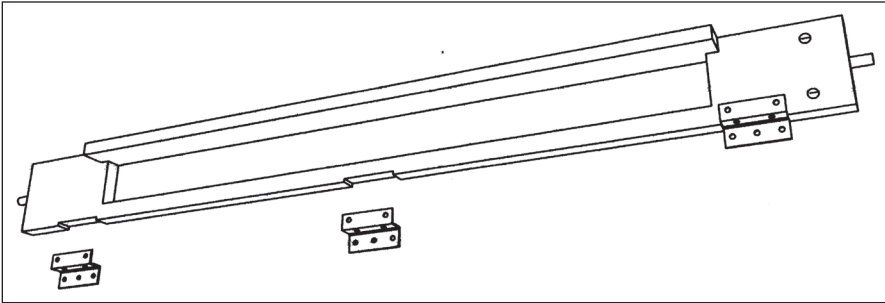
Hardware

The hardware bags that are included inside the table carton might be missing some parts. We have included extra hardware if this is the case. Please note the following:

- A total of 21 screws (Part #9) are needed to attach the hinges. The original hardware bag contains only 14 screws. The extra bag includes 7 more.
- The original hardware bag marked with stickers "4, 8, 11" includes 4 thin black screws. These screws are actually part #15 and are used to attach the pencil ledge (L) to the tabletop.
- 3 screws (Part #11) are needed to attach the Drawer Slide (13). 2 of these screws can be found inside the bag marked "5,6,7,13." (silver, about 1/2" long) The extra bag includes 1 more.

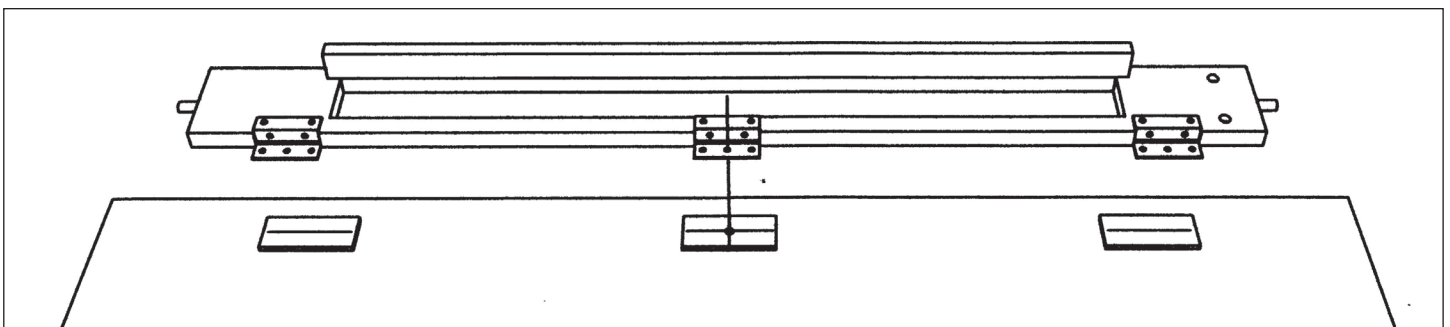
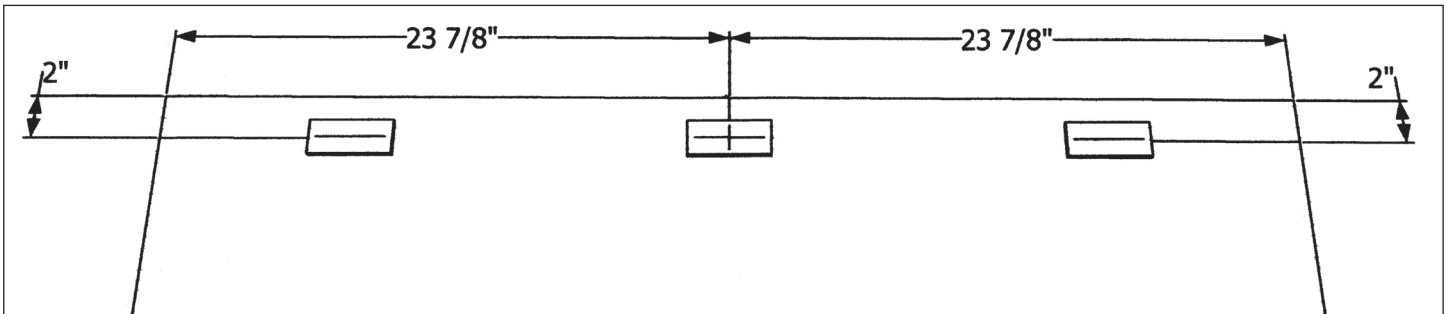
Attach Hinges to Front Crosspiece

1. The 3 hinges must be attached to the front crosspiece (B) before the crosspiece can be attached to the tabletop (A) in Original Step 1.
2. Place hinges into cutouts in crosspiece as shown below. Be sure that you have the hinge on the correct side and it is facing the correct way.
3. Use an awl or small drill to start the holes. (1/16" or 3/32" drill, about 1/2" deep) If using a drill, use care to avoid drilling through to the opposite side.
4. Tighten all 12 screws securely



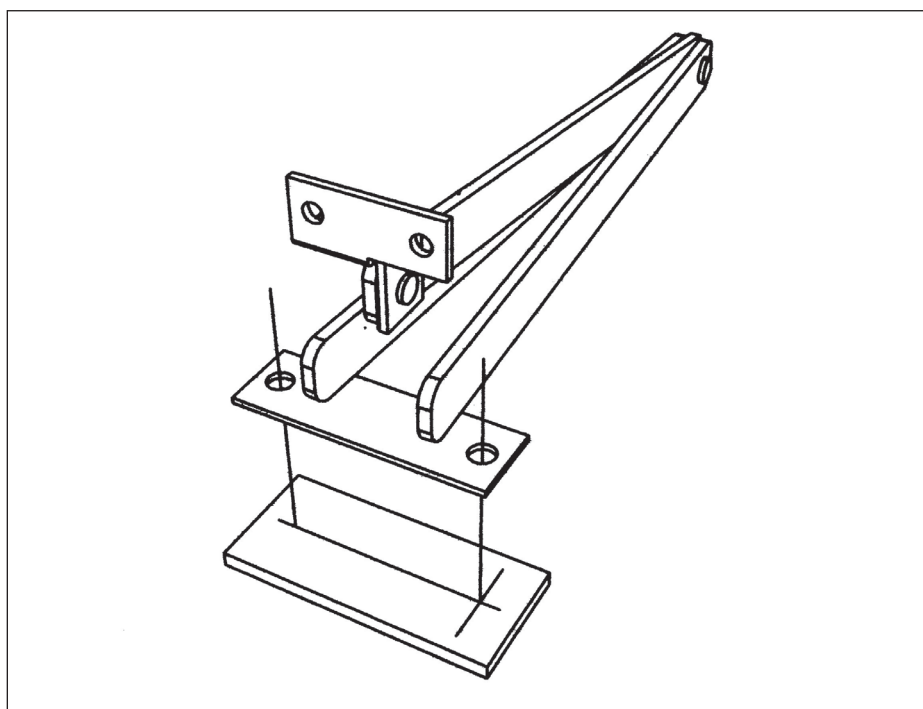
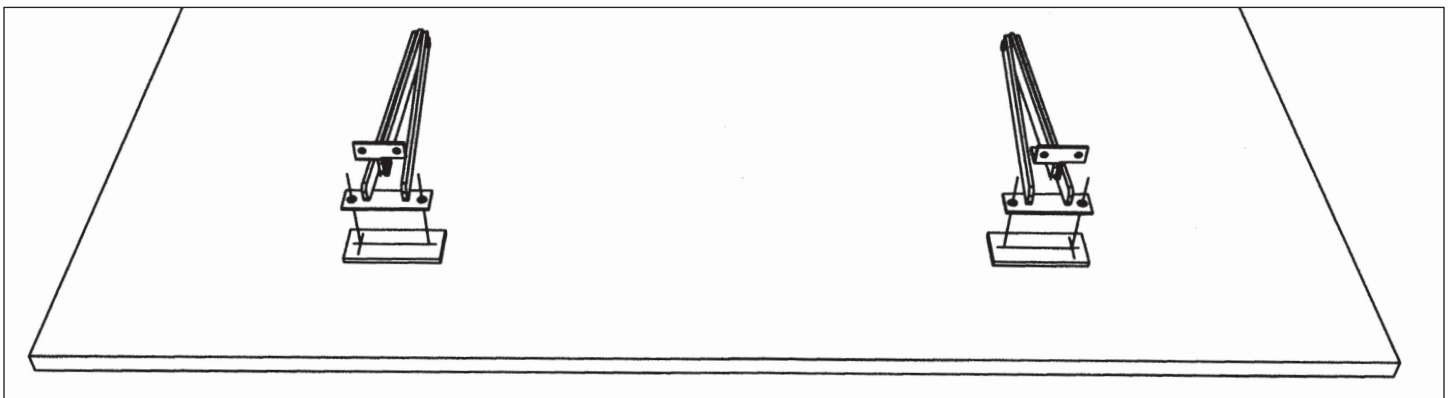
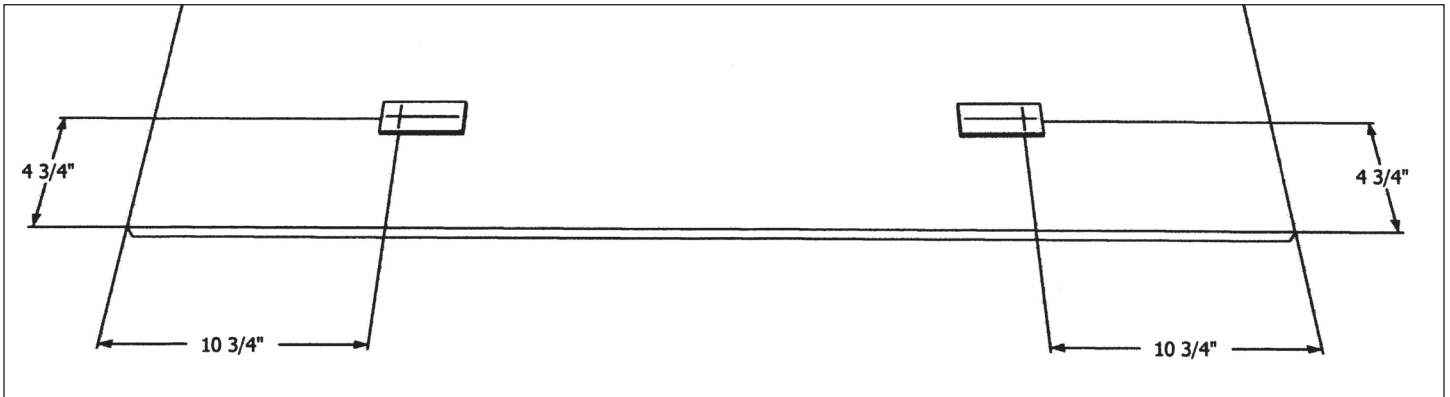
Mark Holes for Hinges in Bottom of Tabletop

1. Hole locations must be marked on the bottom of the tabletop before the front crosspiece can be attached.
2. Place tabletop (A) on a carpeted or otherwise protected floor, to avoid scratches, with the plywood pads facing up.
3. Draw a line on each of the 3 hinge pads that is 2" from the edge of the tabletop. (Magic marker works well)
4. Draw a line on the middle pad in the center of the board, approximately 23 7/8" from each edge.
5. Use an awl or drill to start the first hole at the intersection of the 2 lines on the middle pad. If using a drill, use great care to avoid drilling through to the opposite side.
6. Attach front crosspiece to tabletop using 3/4" screw (9) into middle hole of middle hinge. Tighten firmly.
7. Align hinge holes at each end with lines drawn on pads. Start holes with an awl or drill and secure all hinges with remaining 8 screws. Tighten securely.



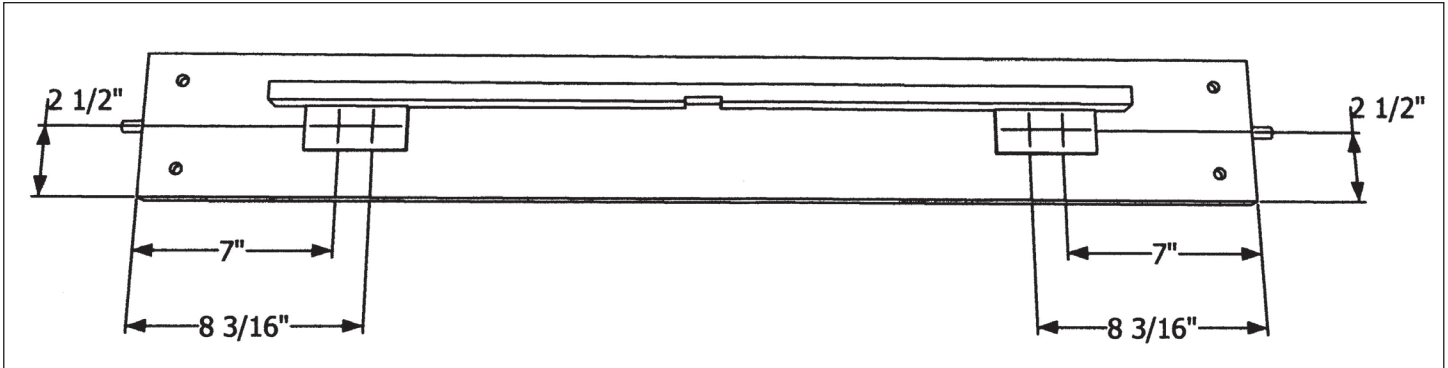
Mark Holes for Tilt Mechanisms in Bottom of Tabletop

1. Hole locations must be marked on the bottom of the tabletop before the tilt mechanisms can be attached.
2. Draw a line on each of the 2 tilt mechanism pads that is $4 \frac{3}{4}$ " from the edge of the tabletop.
3. Draw a line on each pad that is $10 \frac{3}{4}$ " from each edge.
4. Use an awl or drill to start one hole on each pad at the intersection of the 2 lines. If using a drill, use great care to avoid drilling through to the opposite side.
5. Attach tilt mechanisms to tabletop using $\frac{3}{4}$ " screw (10) into the outside hole of each. Tighten firmly.
6. Align second holes of each mechanism with lines drawn on pads. Start holes with an awl or drill and secure with remaining 2 screws. Tighten securely.



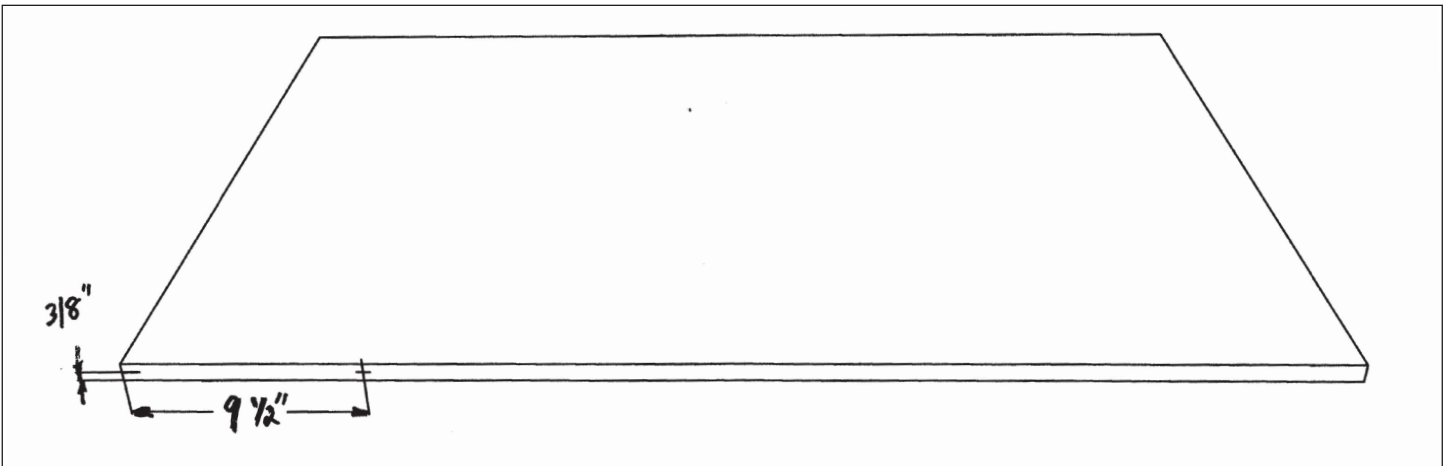
Mark Holes for Tilt Mechanisms in Upper Back Crosspiece

1. Hole locations must be marked on the upper back crosspiece before tilt mechanisms can be attached to it.
2. Draw a line on each of the 2 tilt mechanism pads that is $2\frac{1}{2}$ " from the edge of the crosspiece.
3. Draw 2 more lines on each pad. One that is 7" from the end and one that is $8\frac{3}{16}$ " from the end.
4. Use an awl or drill to start all 4 holes at the intersections of the lines.
5. The back crosspiece is now ready to be attached to leg frames as instructed in the Original Step 2



Mark Holes in Front Edge of Tabletop for Pencil Ledge

1. Draw a line $9\frac{1}{2}$ " from the left edge.
2. Draw a second line that intersects the first that is $\frac{3}{8}$ " from the bottom edge.
3. Use an awl or drill to start this hole the intersection of the lines.
4. Choose whether you want the pencil ledge flush with the tabletop or raised above it.
5. Use a $\frac{3}{4}$ " black screw #15 to attach the pencil ledge through this first hole.
6. Align the pencil ledge with the tabletop, mark the remaining 3 holes, and secure with screws.
7. Tighten firmly but use care not to strip



Additional Notes

- If drawer does not fit between side drawer supports, simply loosen the bolts that hold these supports in place, slide drawer into place, and retighten bolts.
- The brass nameplate has clear plastic film over it for protection in transit. It is safe to remove the film at this time.