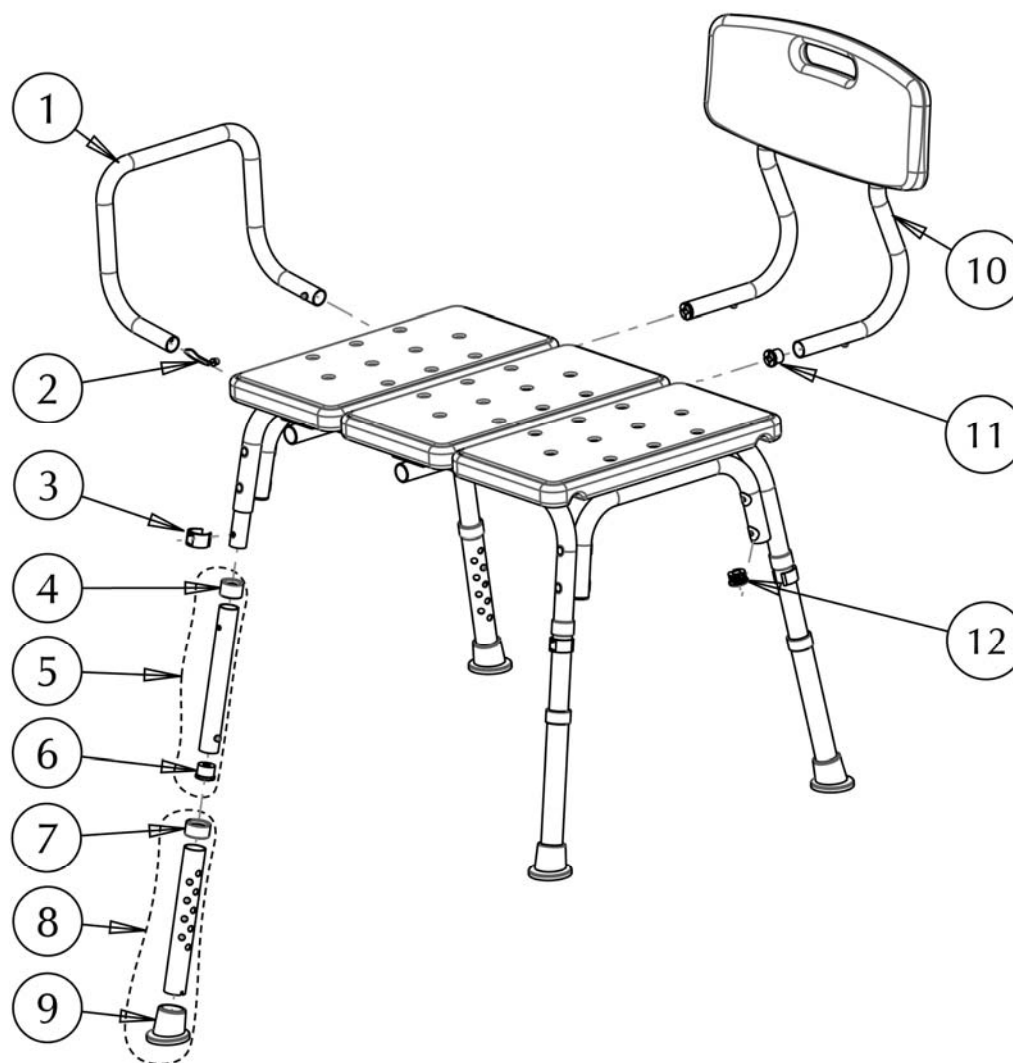


770-406 AquaSense® Transfer Bench



| Item # | AMG Part # | Item Description | Qty Per Unit | Sold by |
|--------|----------------|---|--------------|---------|
| 1. | B08-201 | Armrest Bar (Aluminum Tube 22.2mm & 2 Spring Pins) | 1 EA | 1 EA |
| 2. | B08-301 | Spring Pins - 2 ea / set | 5 ST | 1 ST |
| 3. | A08-246 | E-Clip for 25.4mm Tube, Aqua-Blue - 2 ea / set | 3 ST | 1 ST |
| 4. | A08-262 | Anti-Rattle for 25.4mm Tube, Aqua-Blue - 4 ea / set | 1 ST | 1 ST |
| 5. | B08-081 | Connection Tube w/Hardware (Aluminum Tube ø25.4x200mm, Blue Anti-Rattle, Spring Pin & Black Anti-Rattle) - 4 ea / set | 1 ST | 1 ST |
| 6. | A08-272 | Anti-Rattle for 25.4mm Tube, Black - 4 ea / set | 1 ST | 1 ST |
| 7. | A08-263 | Anti-Rattle for 28.4mm Tube, Aqua-Blue - 4 ea / set | 1 ST | 1 ST |
| 8. | B08-071 | Extension Leg (Aluminum Tube ø28.4x200mm, Anti-Rattle Blue & Grey Tip) - 4 ea / set | 1 EA | 1 EA |
| 9. | A08-452 | Rubber Tip for ø28.4mm Tube, Aqua-Blue - 4 ea / set | 1 ST | 1 ST |
| 10 | B08-052 | Backrest Complete (White Blow-Molded Plastic Back, 2 Aluminum Tubing, 2 Spring Pins, 2 Self-threading Screws M5x15mm & 2 Anti-Rattle White) | 1 EA | 1 EA |

770-406

AquaSense® Transfer Bench

| | | | | |
|-----|----------------|---|------|------|
| 11. | A08-271 | Anti-Rattle for 22.2mm Tube, White - 2 ea / set | 1 ST | 1 ST |
| 12. | A08-421 | End Plug for dia=25.4mm Tube, Grey - 4 ea / set | 1 ST | 1 ST |