

Decorator Technical Specification

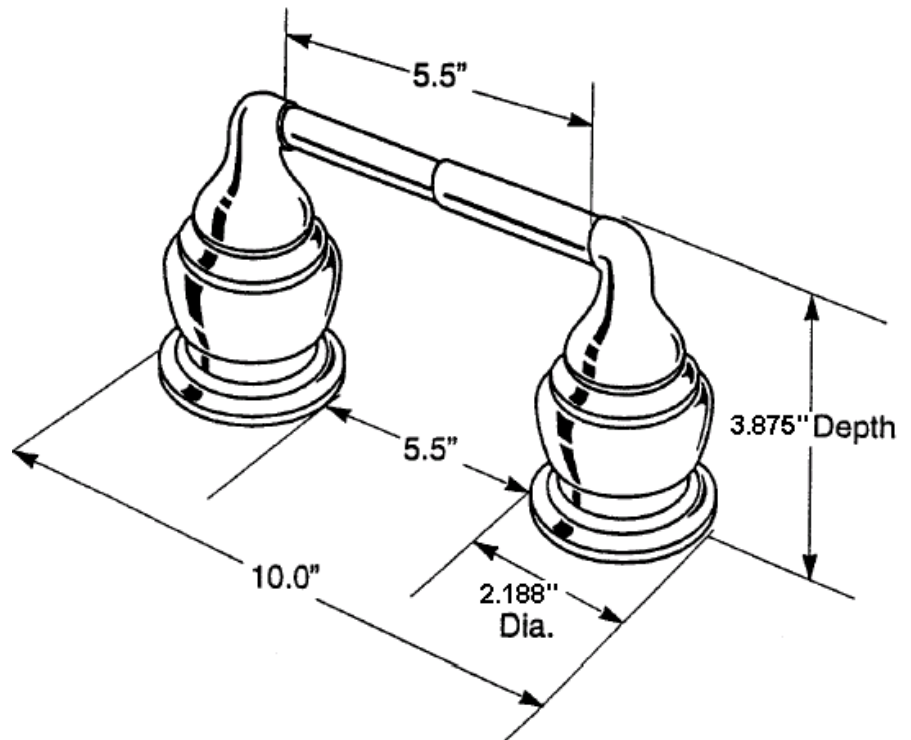
Paper Holder

YB4708

Stock Numbers:

- ❑ **YB4708BN – Paper Holder**
Brushed Nickel Finish, Wholesale Packaging
- ❑ **YB4708CH – Paper Holder**
Chrome Finish, Wholesale Packaging
- ❑ **YB4708CP – Paper Holder**
Chrome & Polished Brass Finish, Wholesale Packaging
- ❑ **YB4708PB – Paper Holder**
Polished Brass Finish, Wholesale Packaging

Dimensions:



Materials:

Paper Holder is constructed of zinc except for accent rings that are brass and roller that is aluminum. All rollers are spring loaded.

Installation Instructions:

1. Position the assembled unit on the wall where desired.
2. Lightly mark the outlines of the bases.
3. Remove the mounting brackets from back of the fixture by loosening the setscrews with the allen wrench provided.
4. Center the mounting brackets in the outlines. Make sure the arrows are pointing up and the setscrew holes are facing down.
5. Mark the hole locations.
6. Attach the brackets to the wall. Mounting into wood studs is recommended whenever possible.
7. Mount the bases on the brackets, followed by the end caps. Tighten the setscrews to secure the assembly to the brackets.

Cleaning Instructions:

To preserve the fine finish of this product, clean only with a soft damp cloth. Dry well. Do not use commercial or abrasive cleaners.

Stock Number: _____ **Paper Holder**
By Creative Specialties

25300 AL MOEN DRIVE • NORTH OLMSTED, OH 44070
CORPORATE HEADQUARTERS: (800) 321-8809 • FAX: (800) 848-6636
INTERNATIONAL: (440) 962-2000 • FAX: (440) 962-2726
CUSTOMER SERVICE (USA): 800-882-0116 • FAX: (888) 379-2720
WWW.MOEN.COM

©Copyright Creative Specialties International

Literature #BA1003

